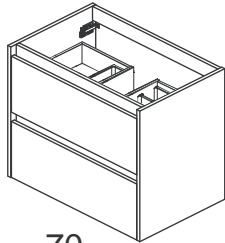
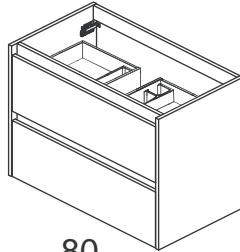


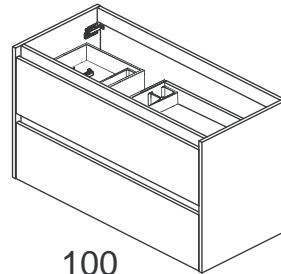
60
23 5/8"



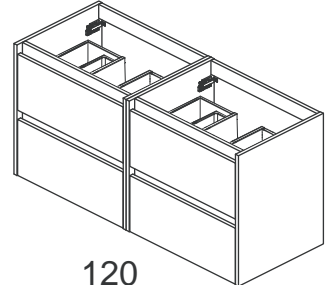
70
27 9/16"



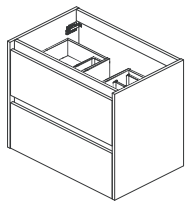
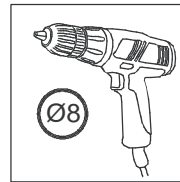
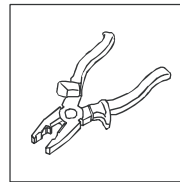
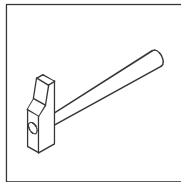
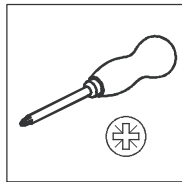
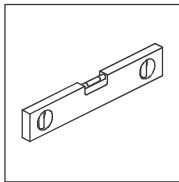
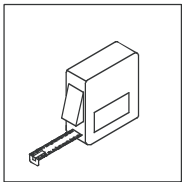
80
31 1/2"



100
39 3/8"



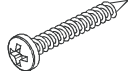
120
47 1/4"



x2



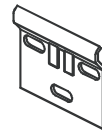
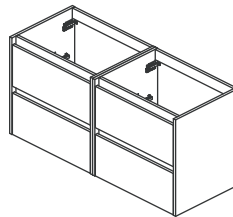
x4



x4

60/70/80/100
23 5/8" 27 9/16" 31 1/2" 39 3/8"

BO-719



x2



x4



x4



x2

120
47 1/4"

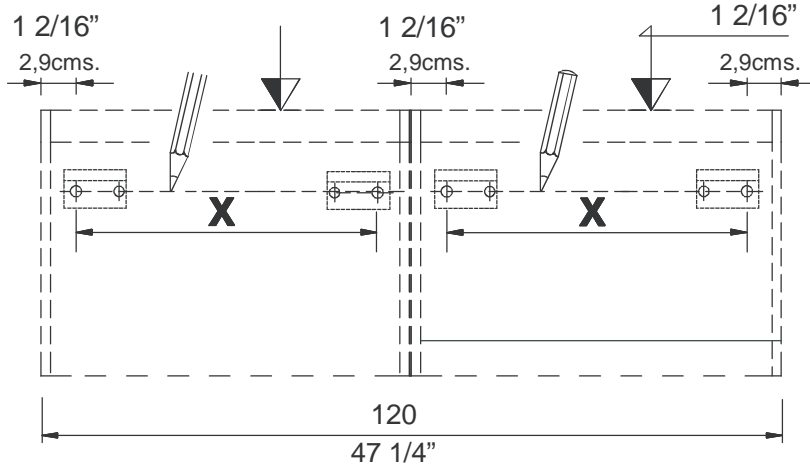
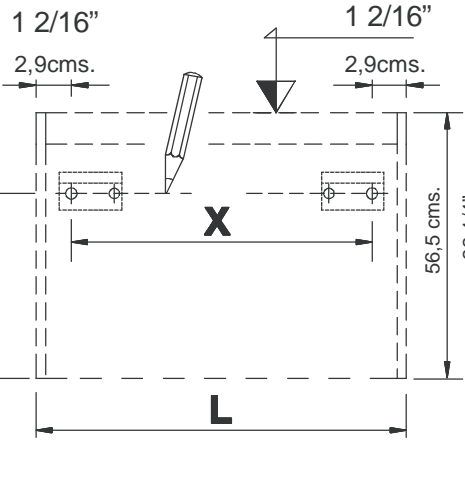
BO-719

BO-266

01.



cms.



| | |
|-----------|--------------|
| L:60cms. | → X=53,7cms. |
| L:70cms. | → X=63,7cms. |
| L:80cms. | → X=73,7cms. |
| L:100cms. | → X=93,7cms. |
| L:120cms. | → X=53,7cms. |

| | |
|------------|---------------|
| L:23 5/8" | → X=21 2/16" |
| L:27 9/16" | → X=25 1/16" |
| L:31 1/2" | → X=29 0/16" |
| L:39 3/8" | → X=36 14/16" |
| L:47 1/4" | → X=21 2/16" |

02.



23 5/8" 27 9/16" 31 1/2" 39 3/8"
 MLV-60/70/80/100 ——— x2
 MLV-120 ——— x4
 47 1/4"



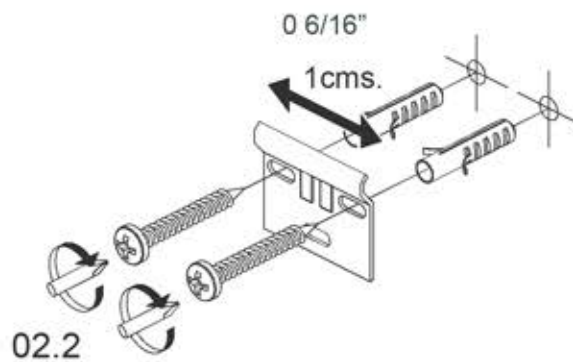
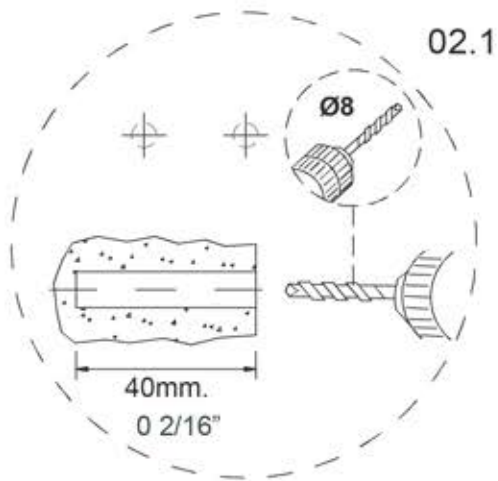
x4

x4

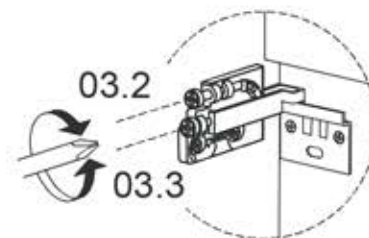
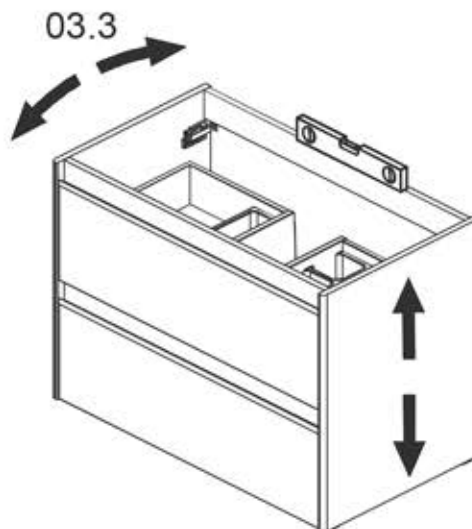
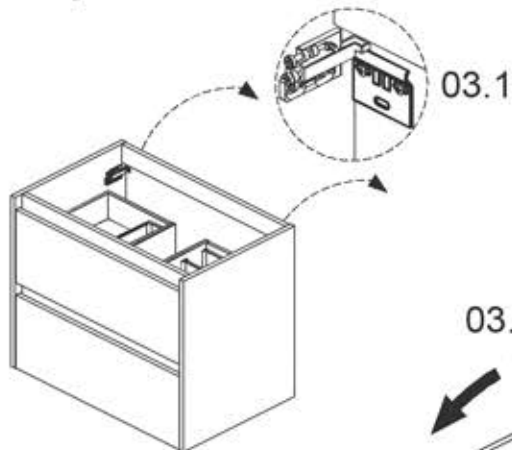
x8

x8

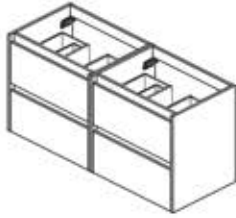
BO-719



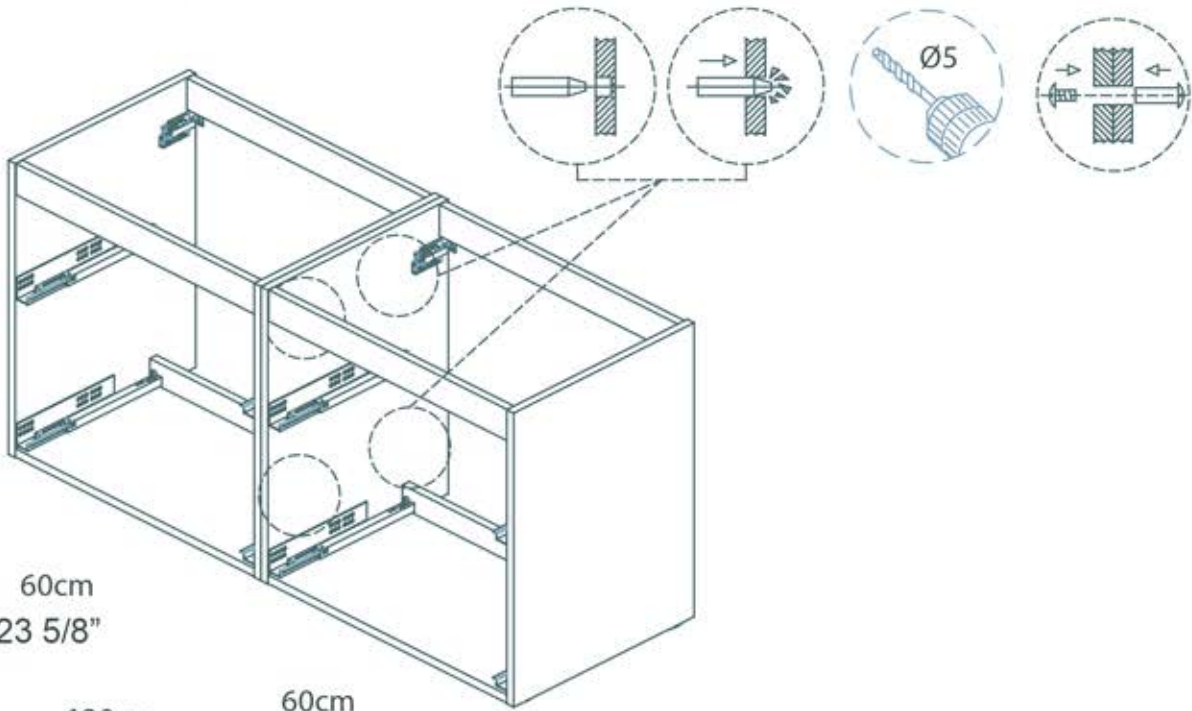
03.



04.



T2x2

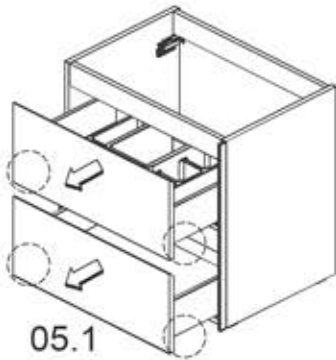


60cm
23 5/8"

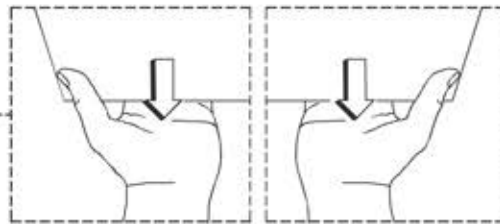
120cm
47 1/4"

60cm
23 5/8"

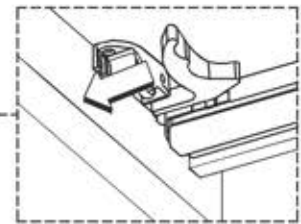
05.



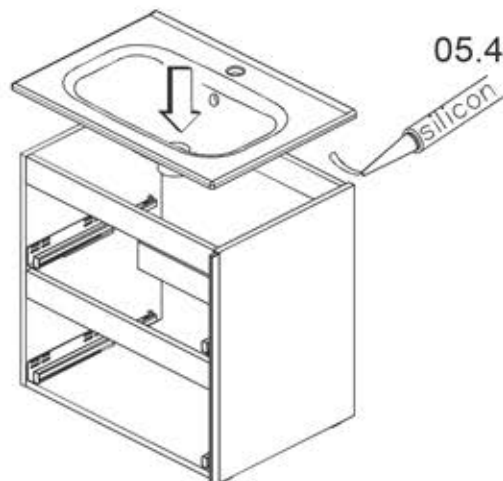
05.1



05.2



05.3

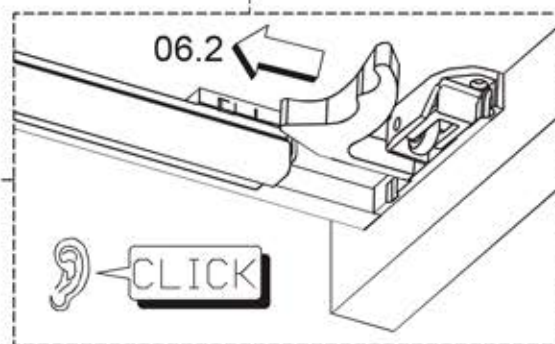
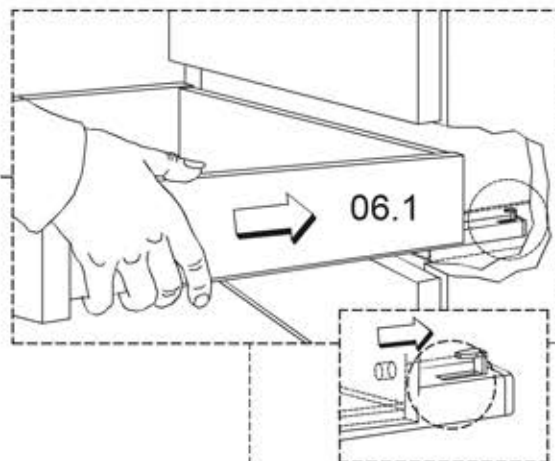
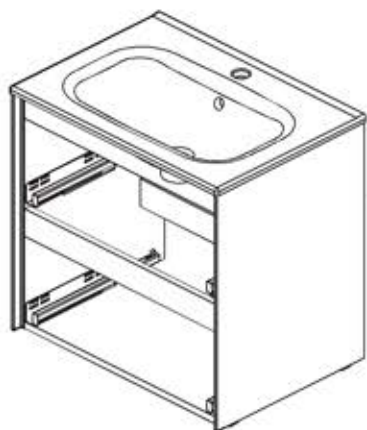


05.4

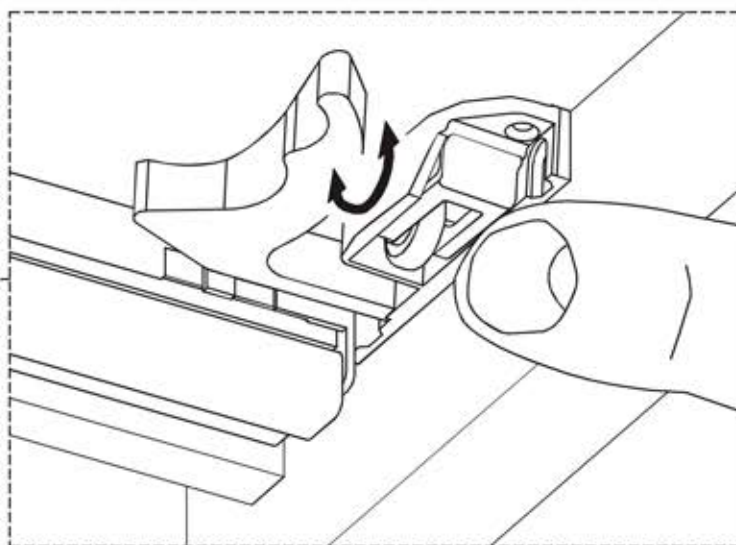
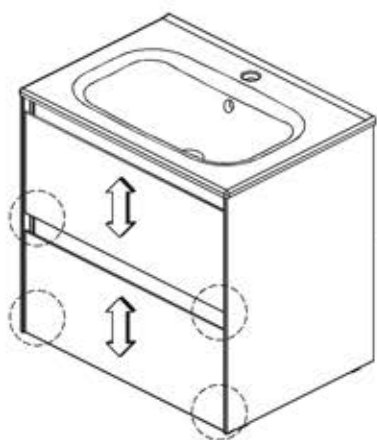


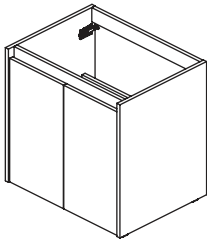
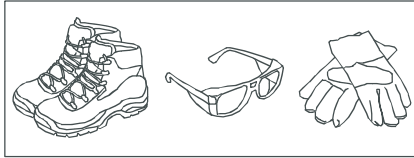
05.5

06.

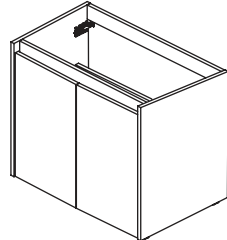


07.

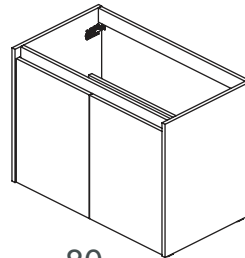




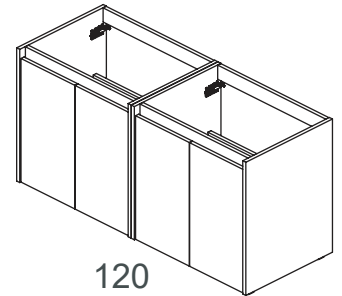
60
23 5/8"



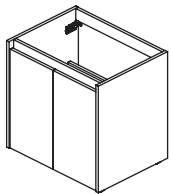
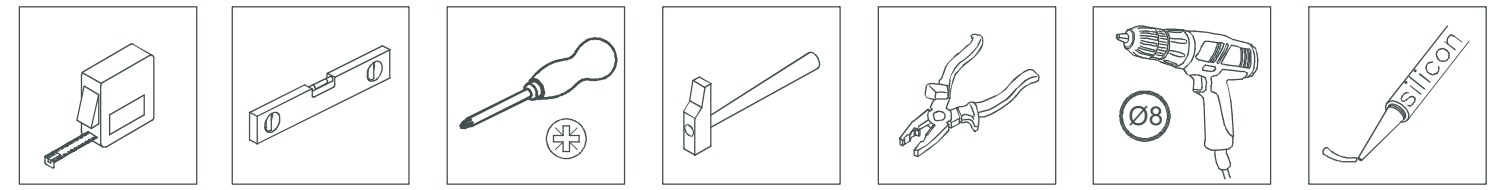
70
27 9/16"



80
31 1/2"



120
47 1/4"



60/70/80/
23 5/8" 27 9/16" 31 1/2"



x2

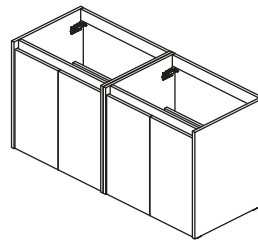


x4

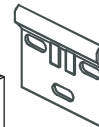


x4

BO-719



120
47 1/4"



x2



x4



x4



x2

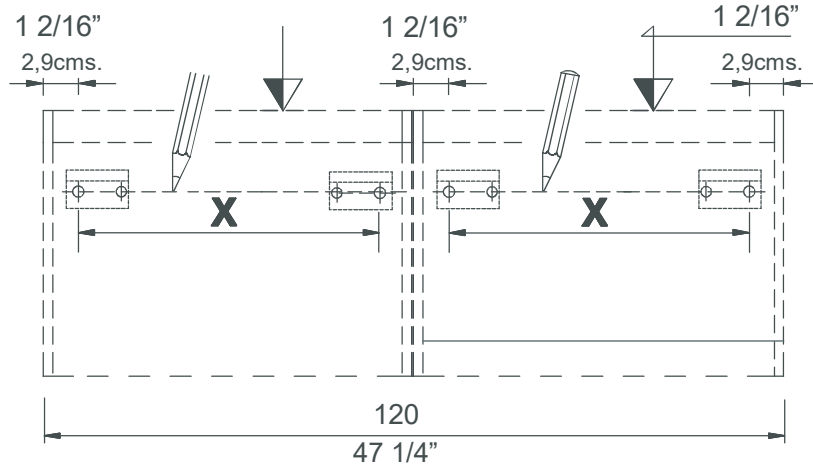
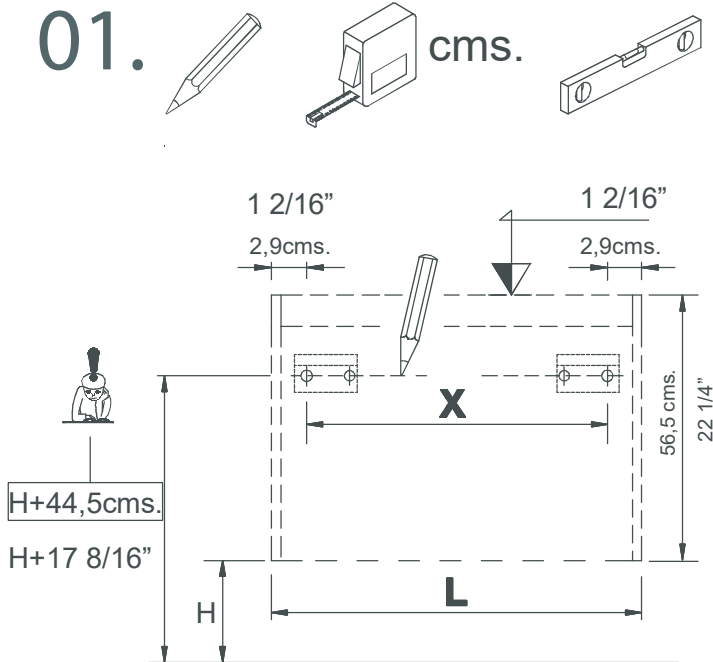
BO-719

BO-266

01.



cms.



| | | |
|-----------|---|------------|
| L:60cms. | → | X=53,7cms. |
| L:70cms. | → | X=63,7cms. |
| L:80cms. | → | X=73,7cms. |
| L:120cms. | → | X=53,7cms. |

| | | |
|------------|---|------------|
| L:23 5/8" | → | X=21 2/16" |
| L:27 9/16" | → | X=25 1/16" |
| L:31 1/2" | → | X=29 0/16" |
| L:47 1/4" | → | X=21 2/16" |

02.



23 5/8" 27 9/16" 31 1/2" 39 3/8"
 MLV-60/70/80/100 ——— x2
 MLV-120 ——— x4
 47 1/4"



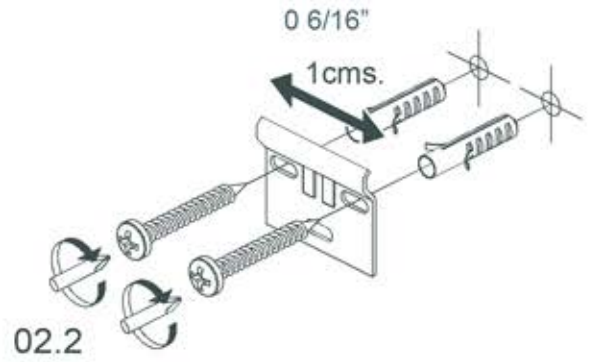
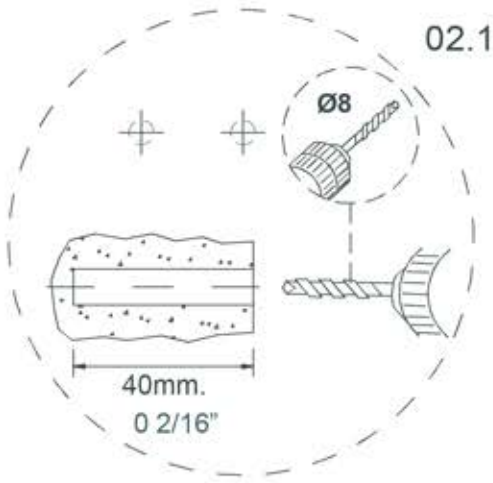
x4

x4

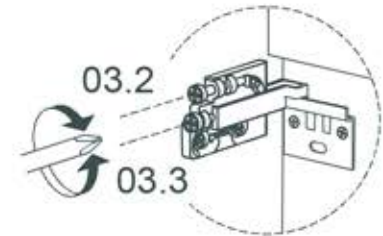
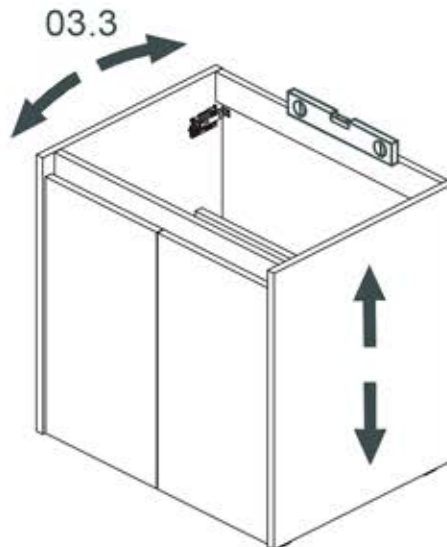
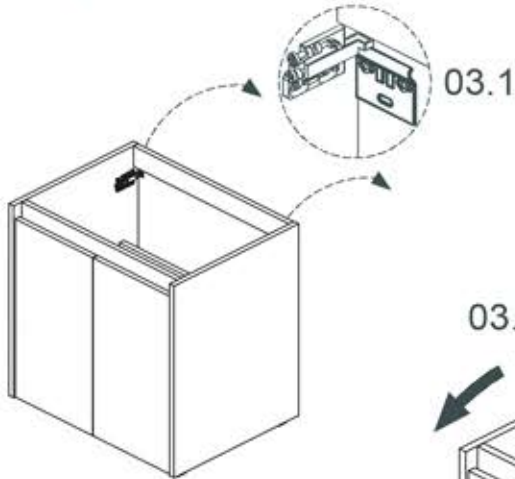
x8

x8

BO-719



03.

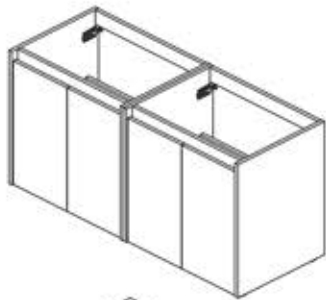


03.2

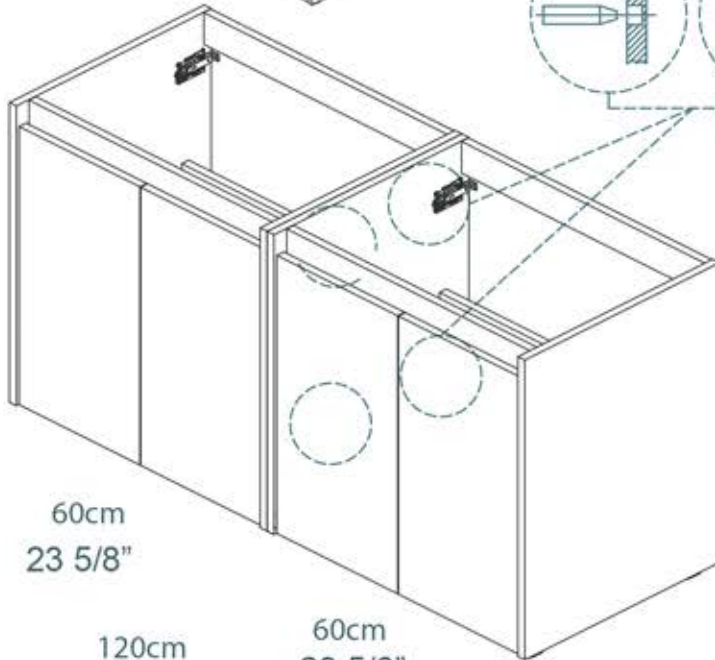
±1cms.

0 6/16"

04.



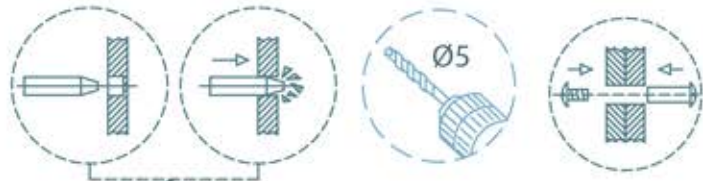
T2x2



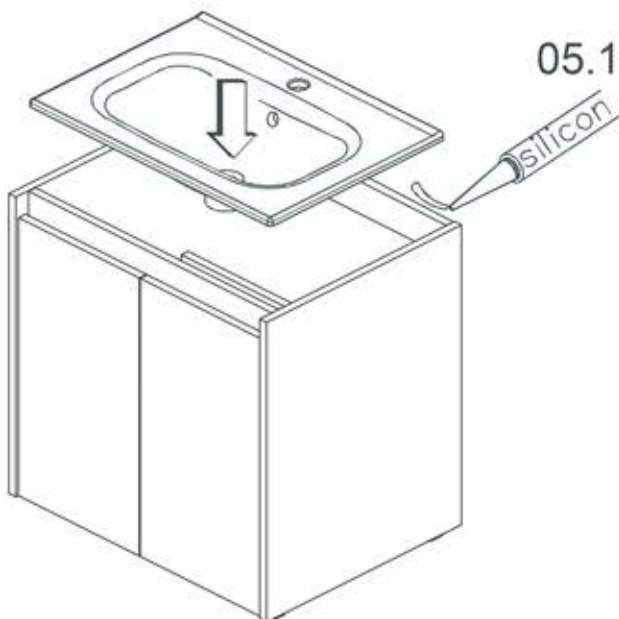
60cm
23 5/8"

120cm
47 1/4"

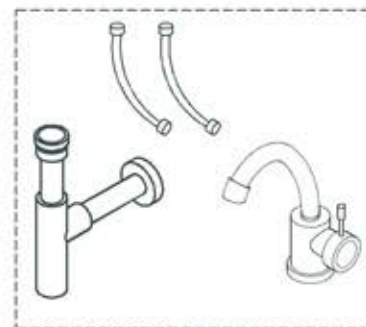
60cm
23 5/8"



05.

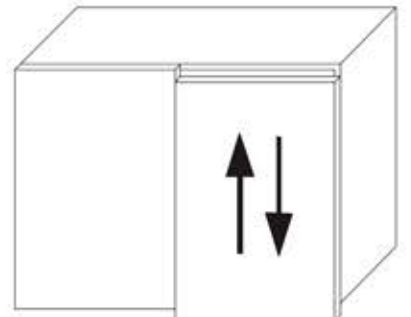
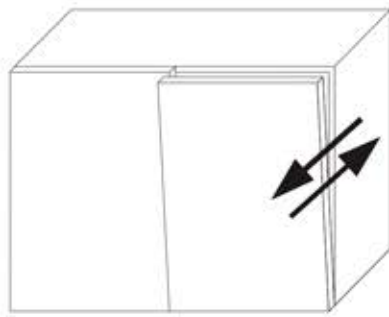
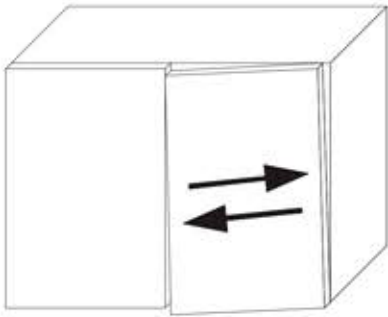
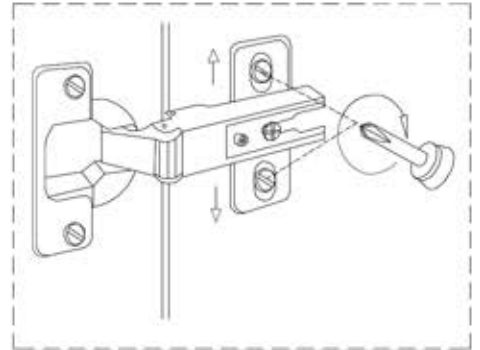
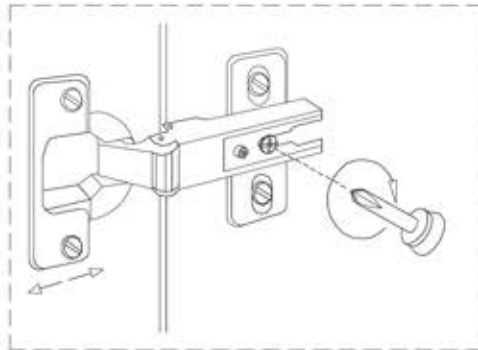
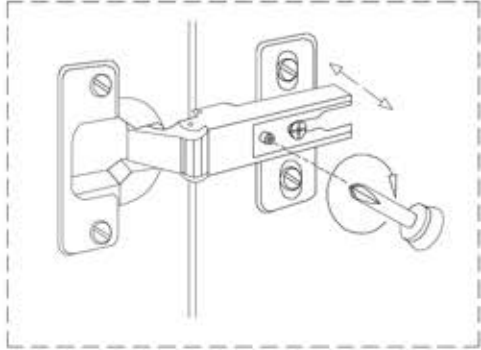


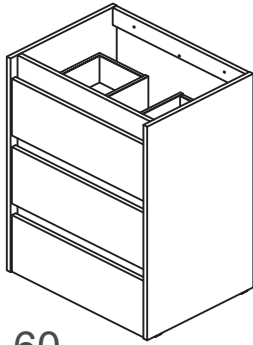
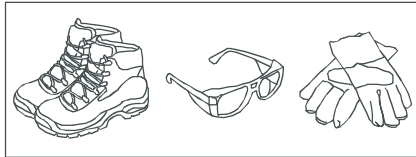
05.1



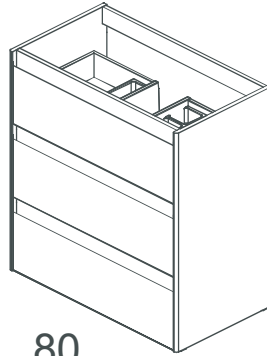
05.2

06.

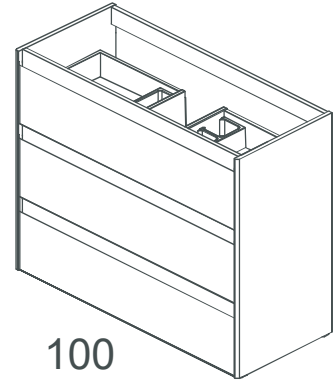




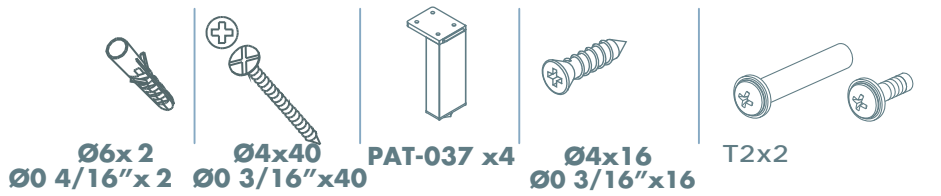
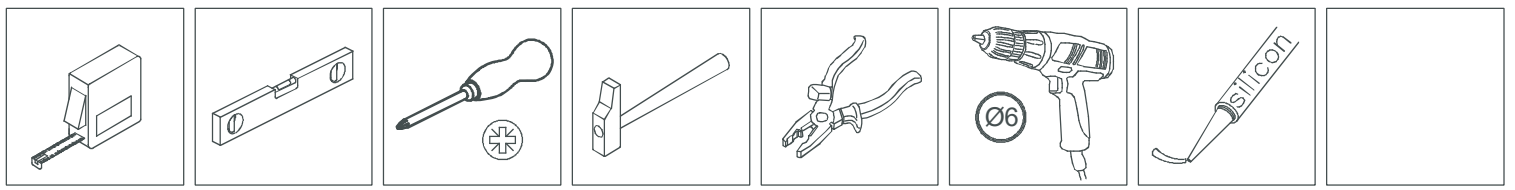
60
23 5/8"



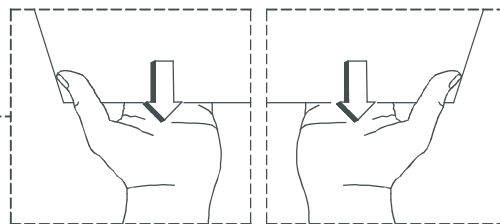
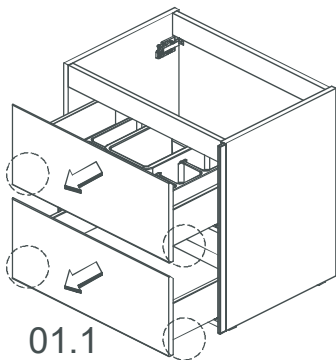
80
31 1/2"



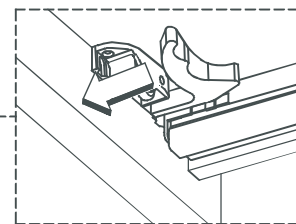
100
39 3/8"



01.

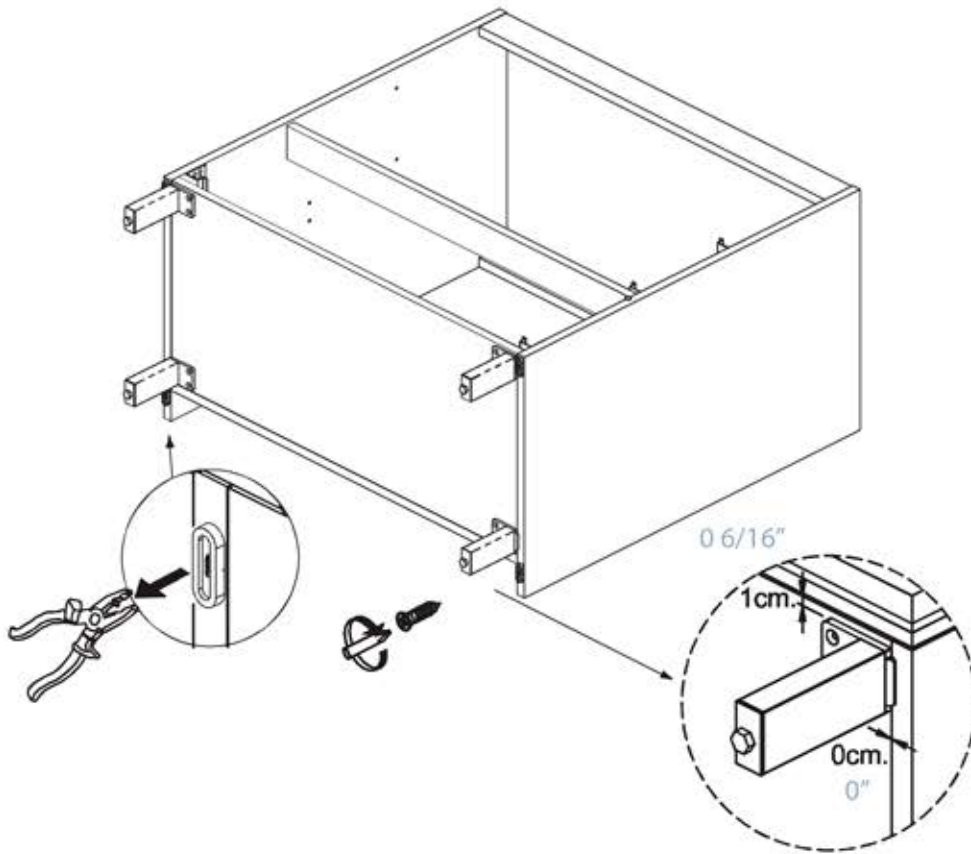
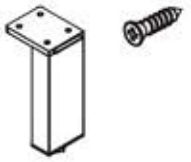
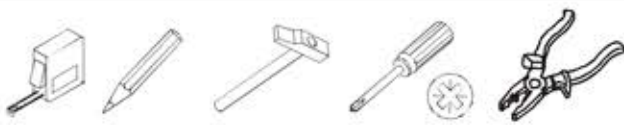


01.2



01.3

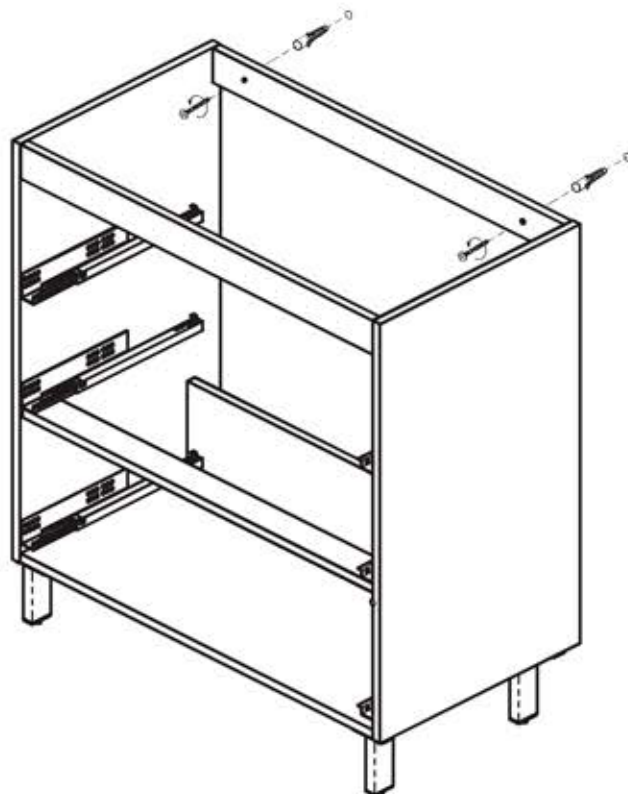
02.



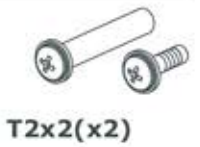
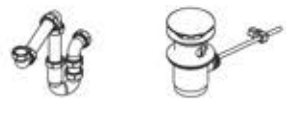
03.



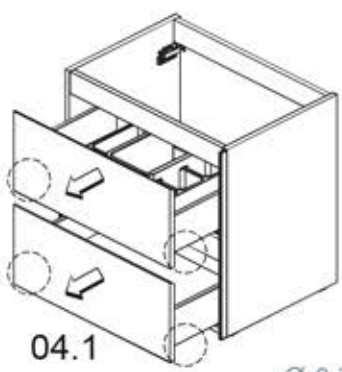
∅6x2 ∅4x40



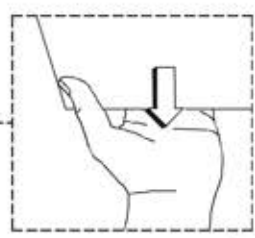
04.



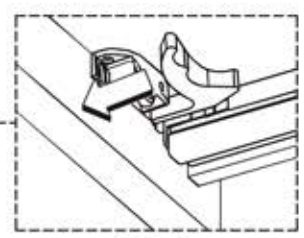
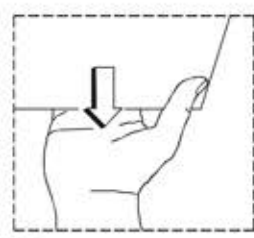
T2x2(x2)



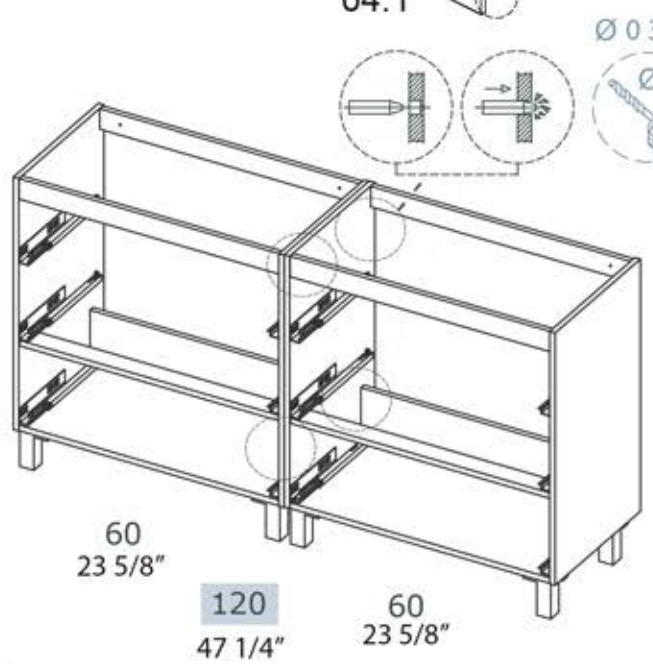
04.1



04.2



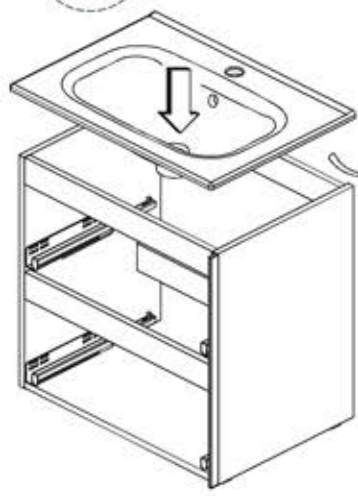
04.3



60
23 5/8"

120
47 1/4"

60
23 5/8"

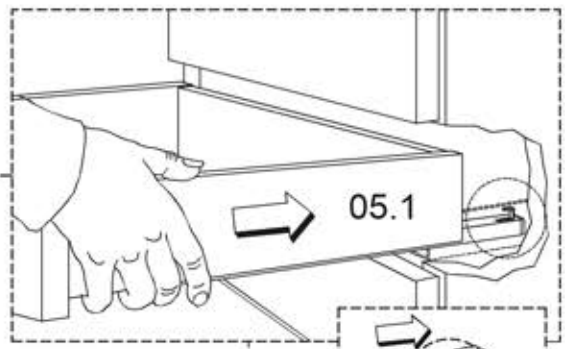


04.4

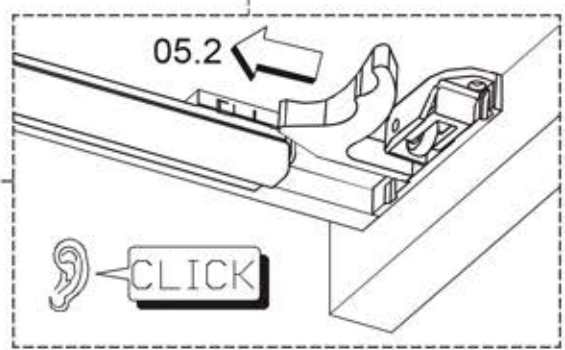
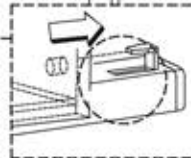


04.5

05.



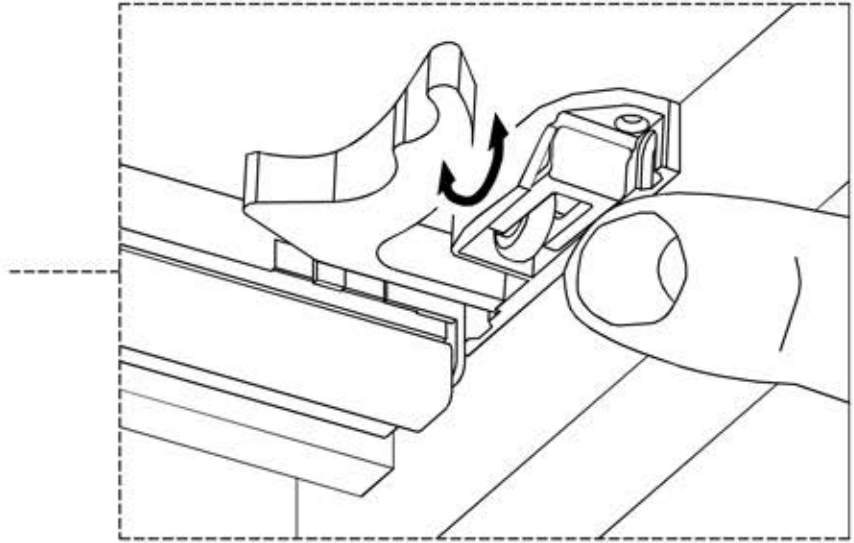
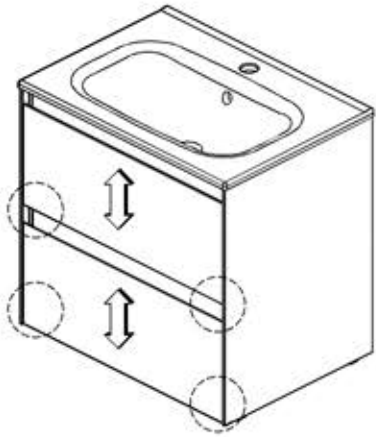
05.1

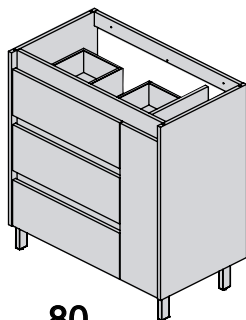
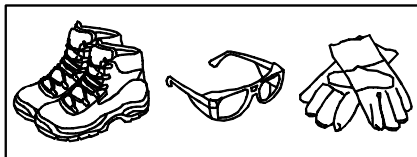
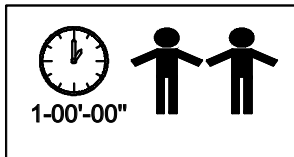


05.2

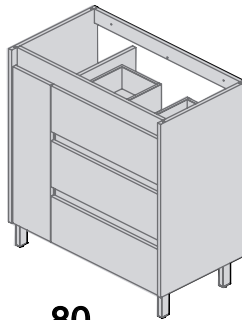
CLICK

06.

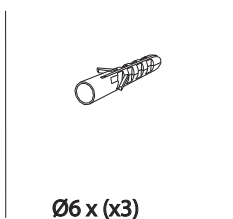
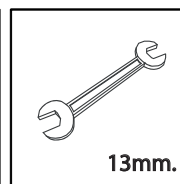
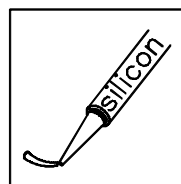
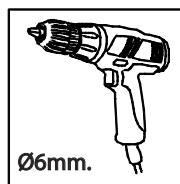
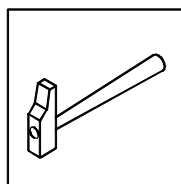
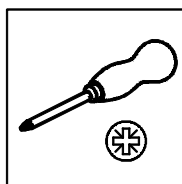
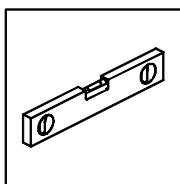
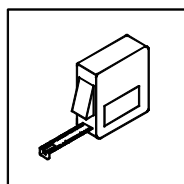




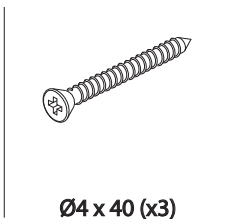
80



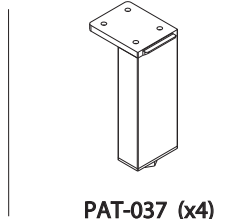
80



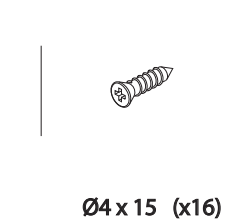
Ø6 x (x3)



Ø4 x 40 (x3)

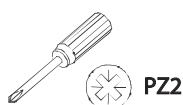


PAT-037 (x4)

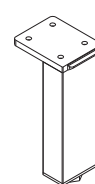


Ø4 x 15 (x16)

01.



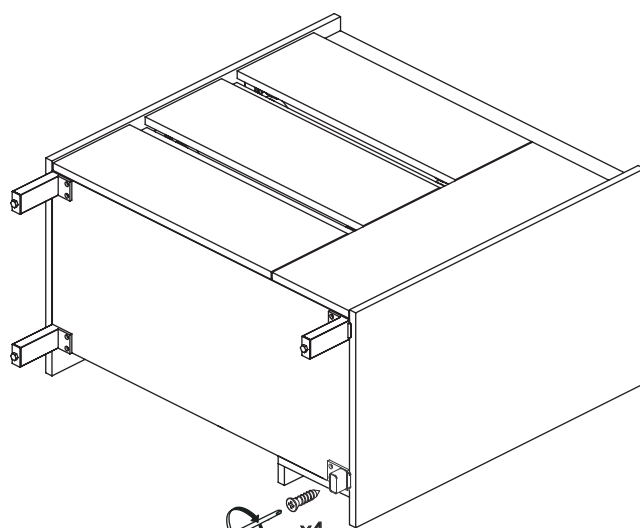
PZ2



PAT-037 (x4)

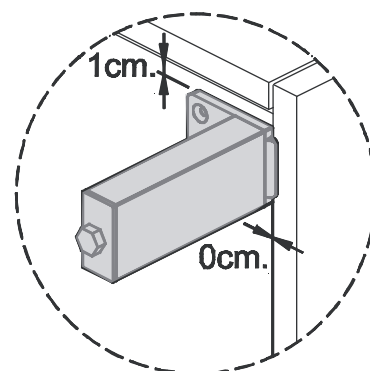


Ø4 x 15 (x16)

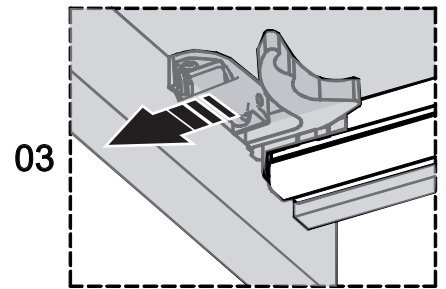
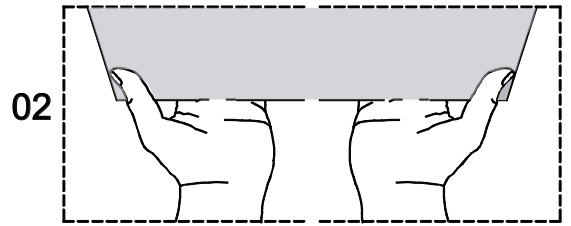
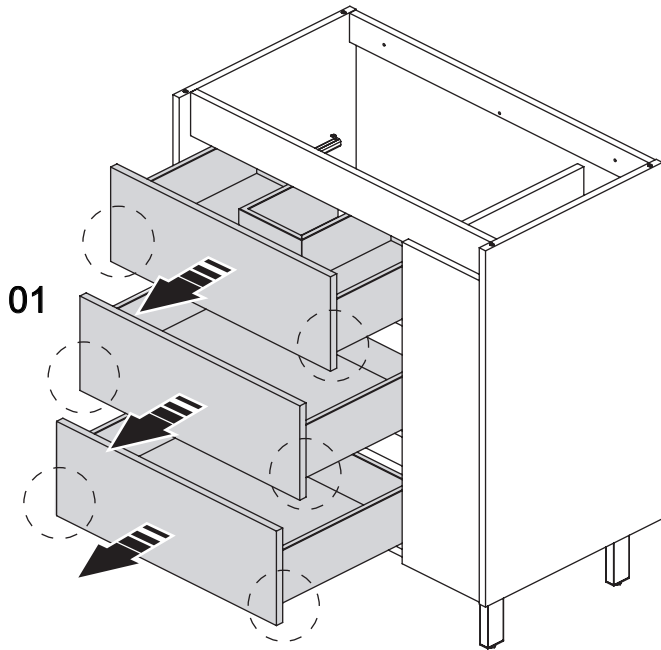


02

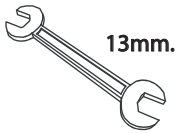
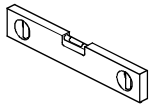
01



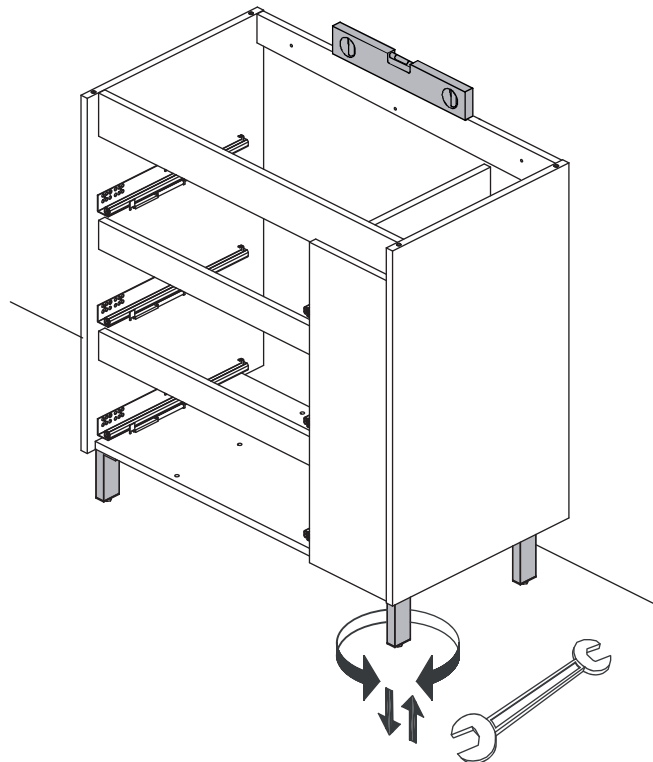
02.



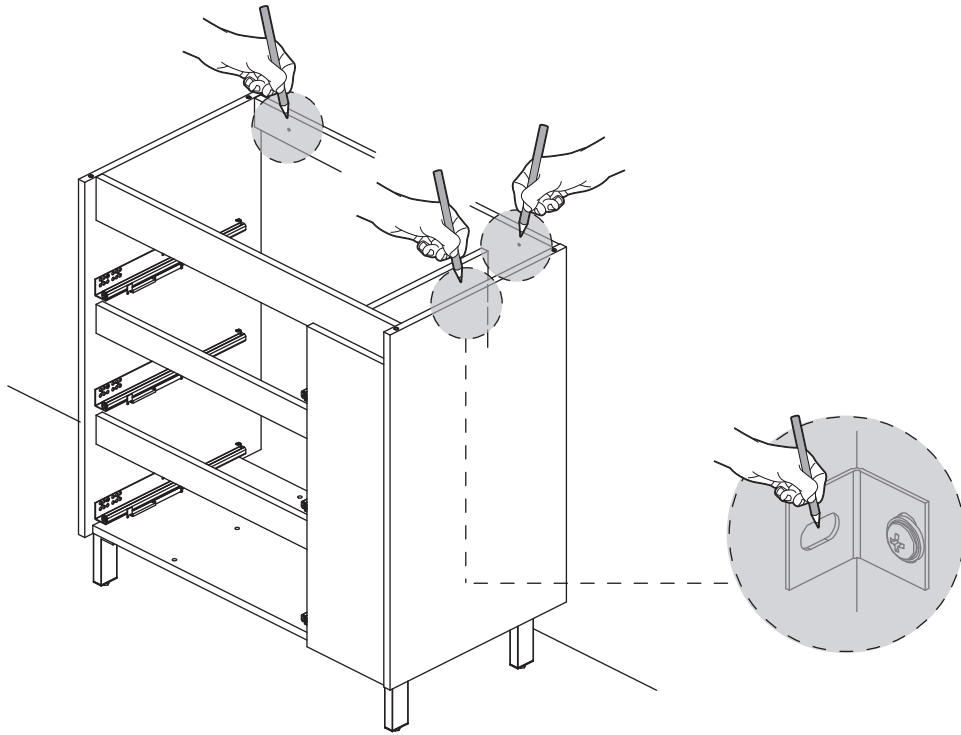
03.



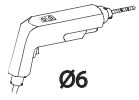
13mm.



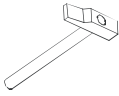
04.



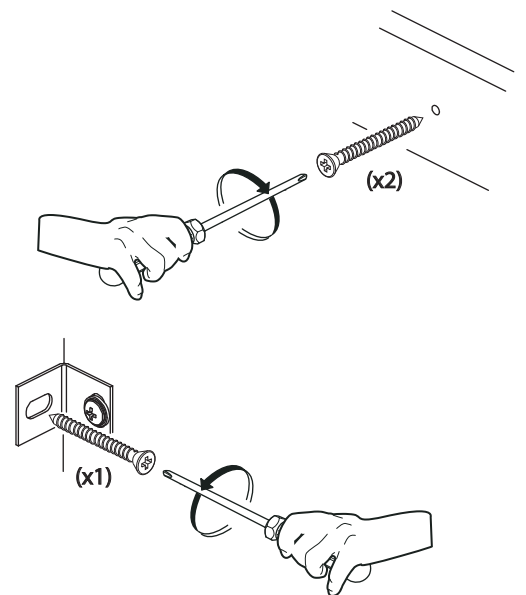
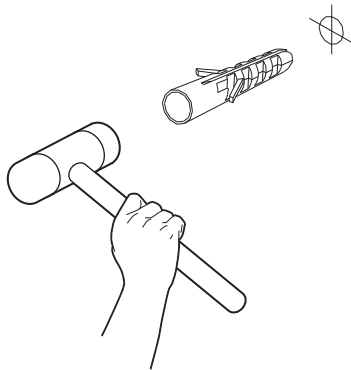
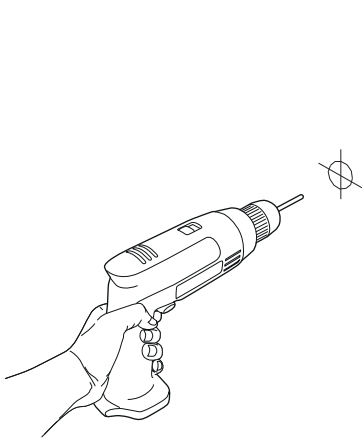
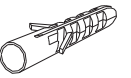
05.



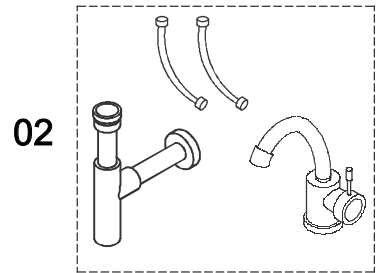
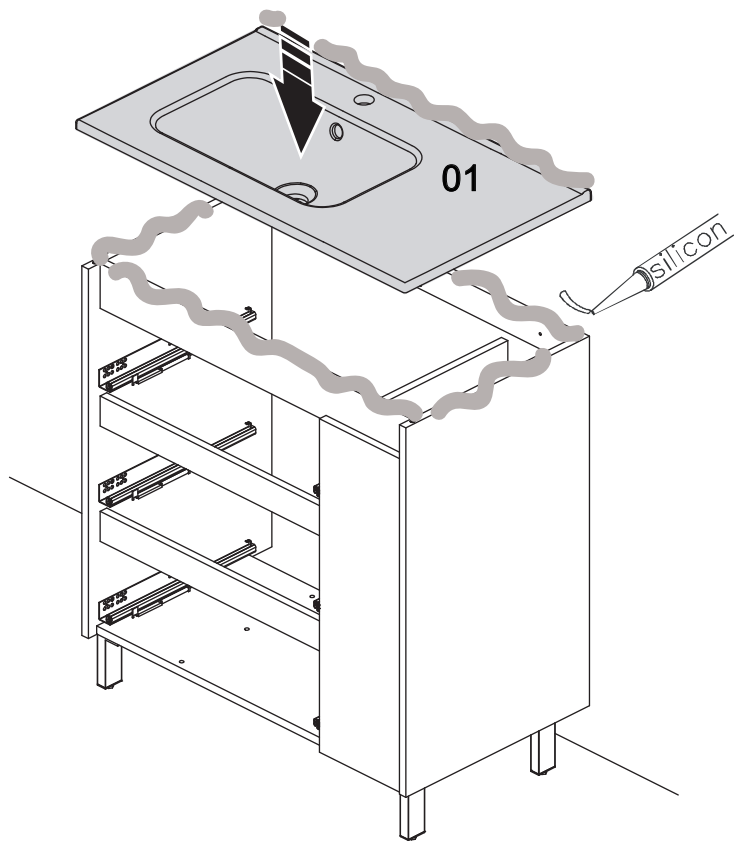
Ø6



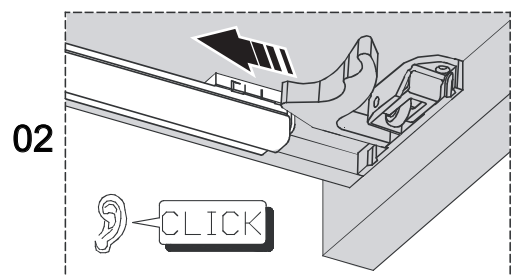
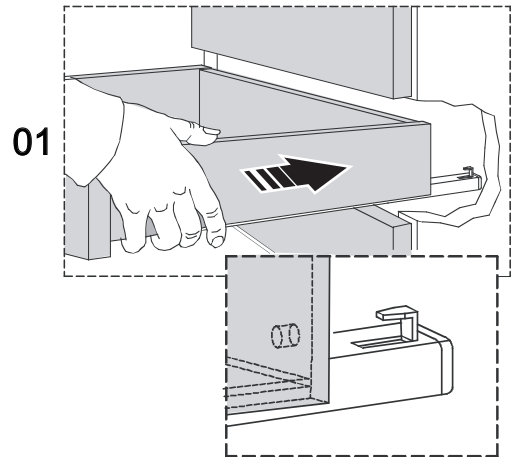
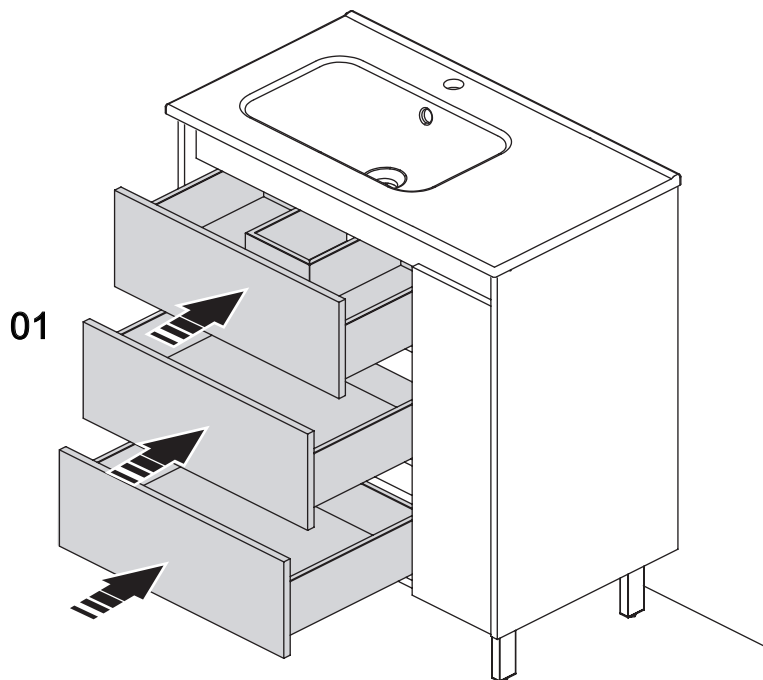
Ø6 (x3)



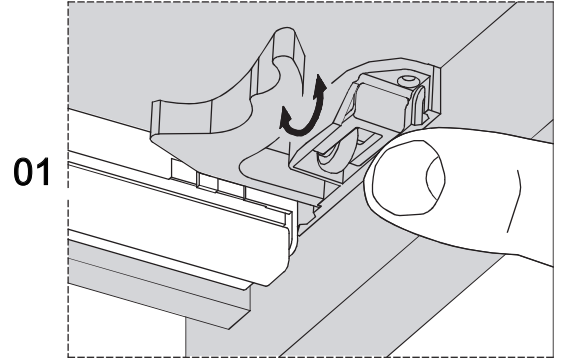
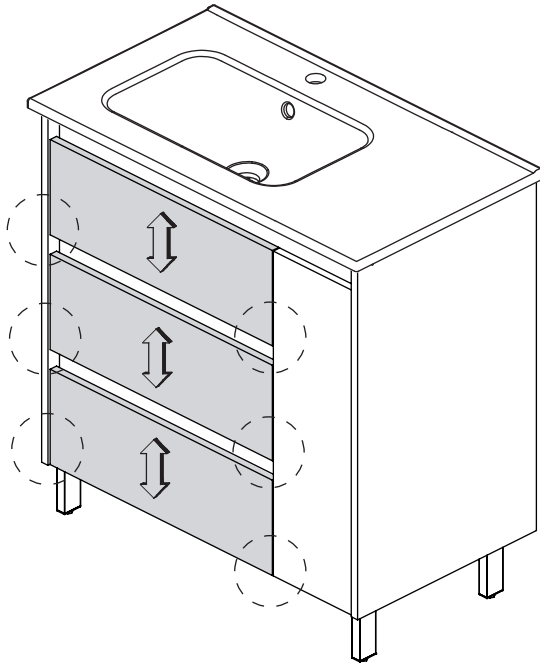
06.



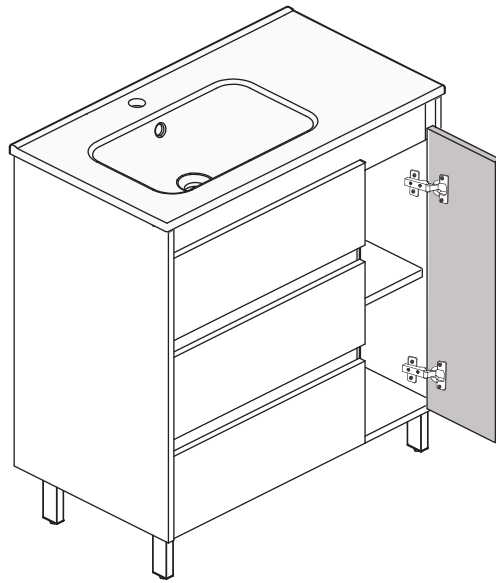
07.



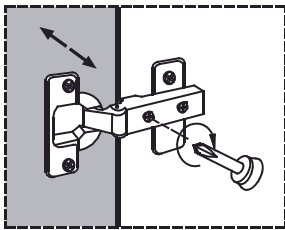
08.



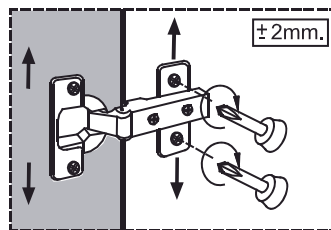
09.



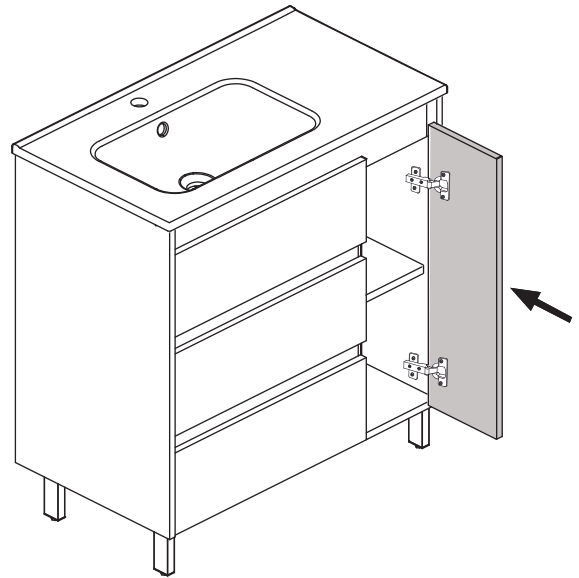
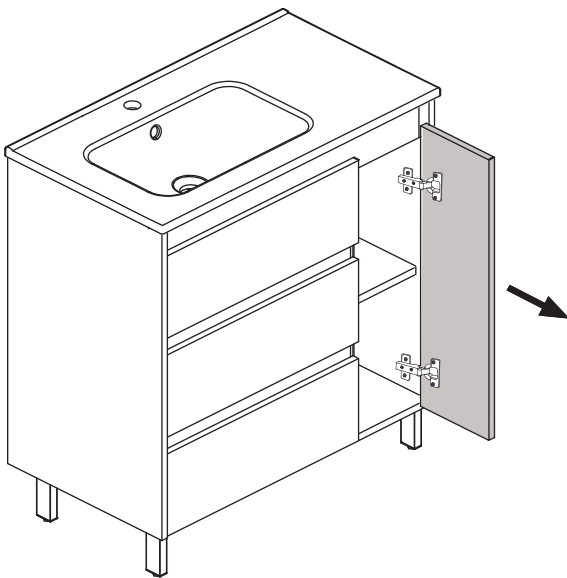
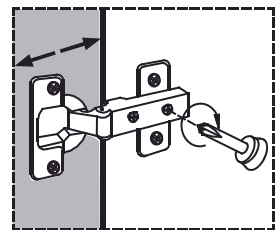
1



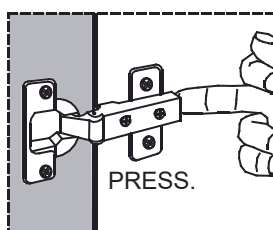
2



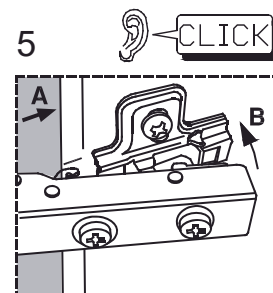
3

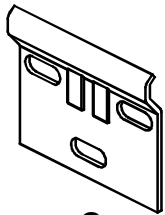
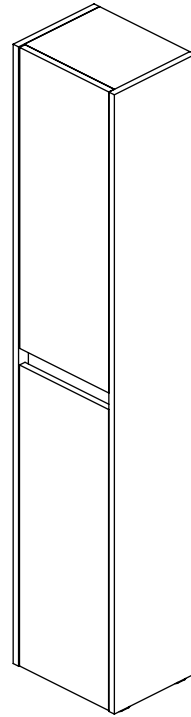
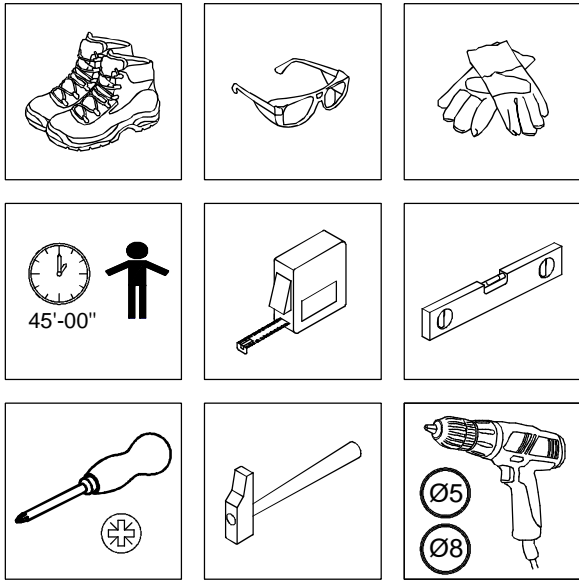


4

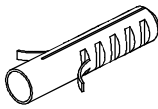


5

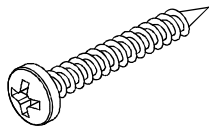




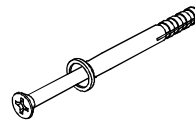
x2



x4



x4



x1



x1



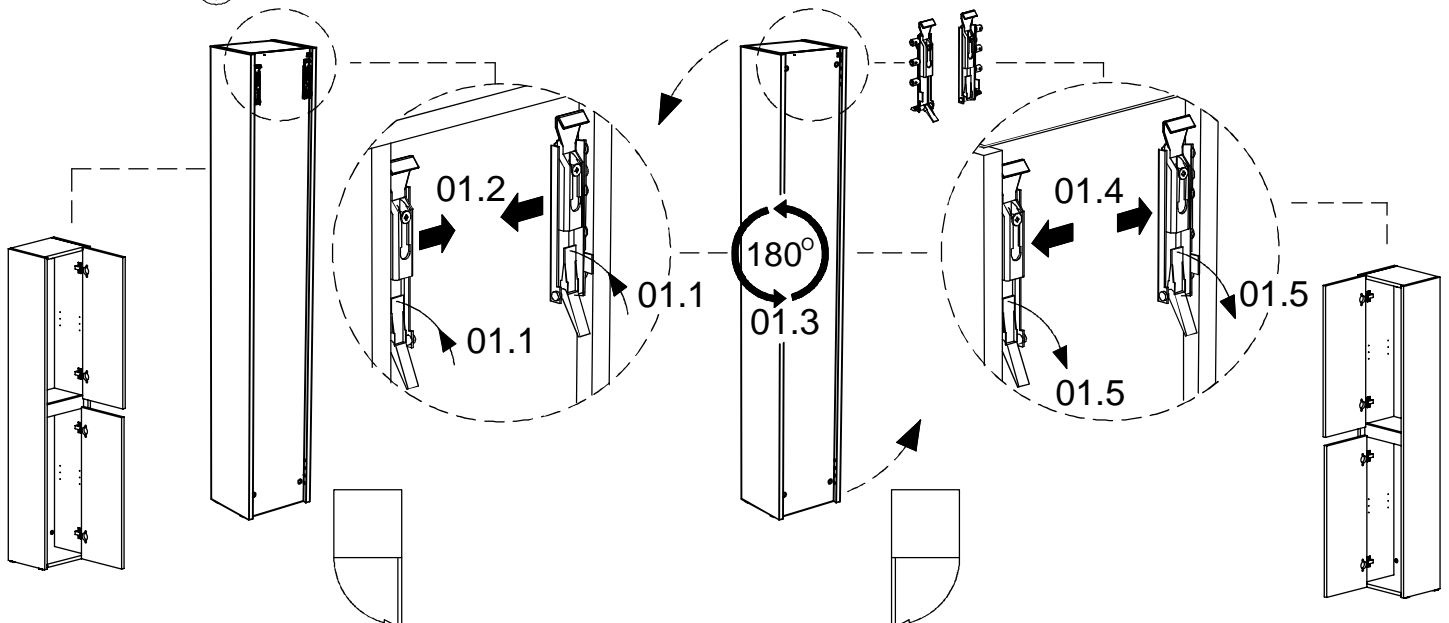
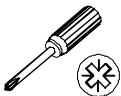
x8



BO-719

BO-630

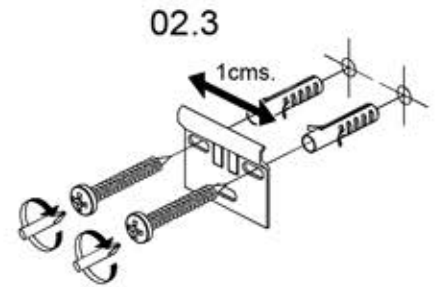
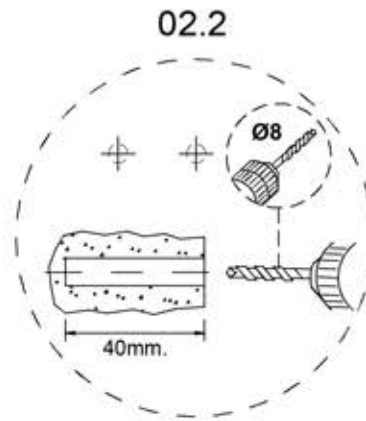
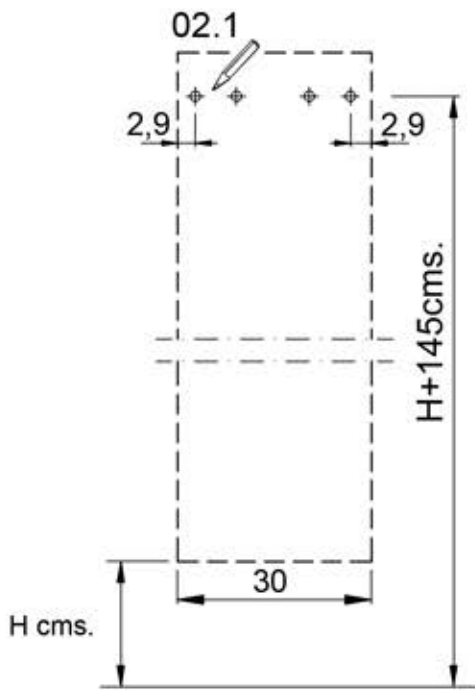
01.



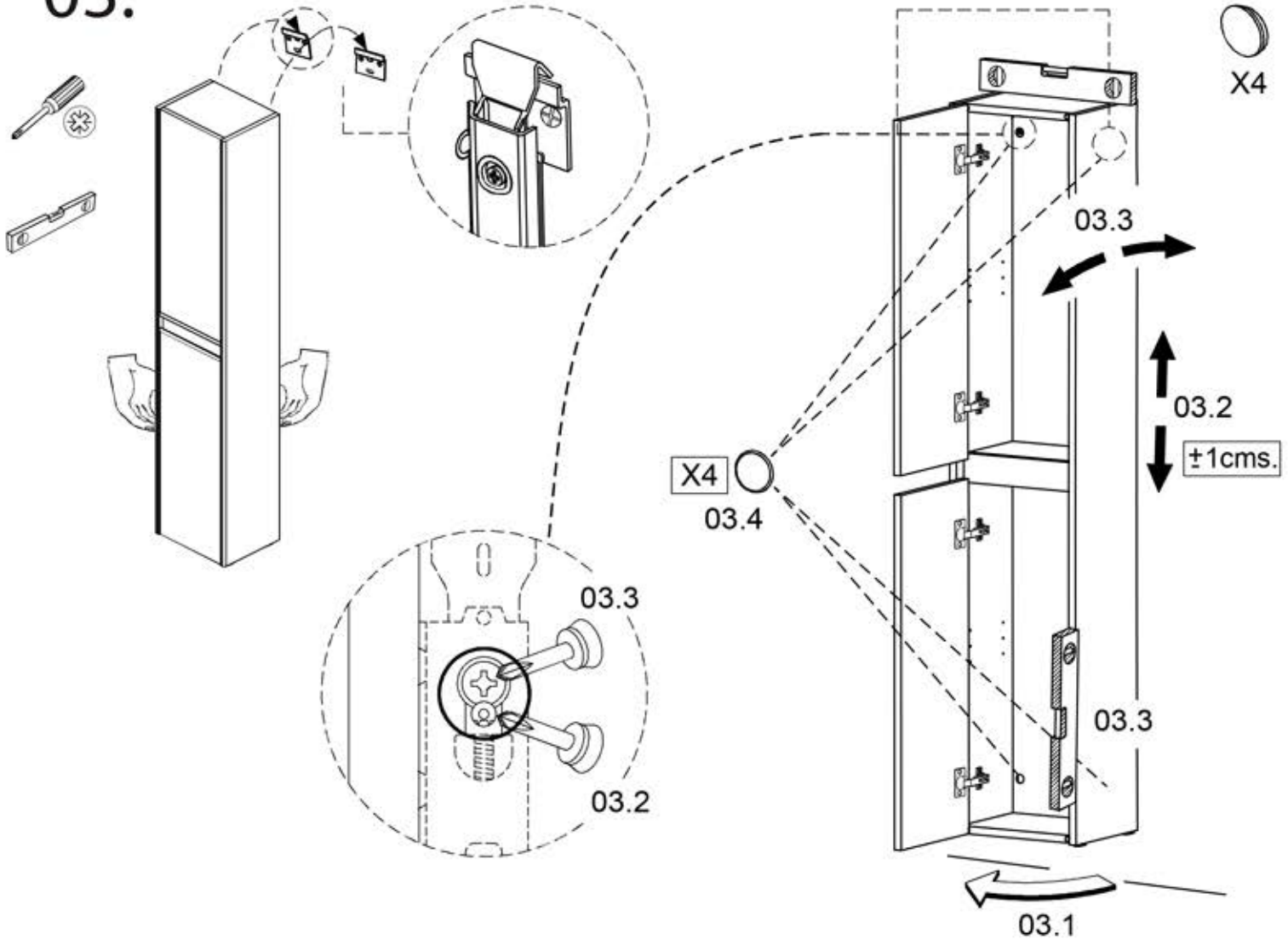
02.



BO-719



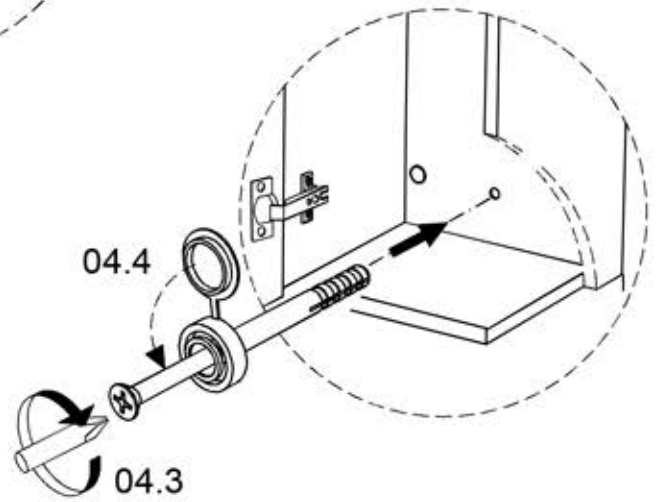
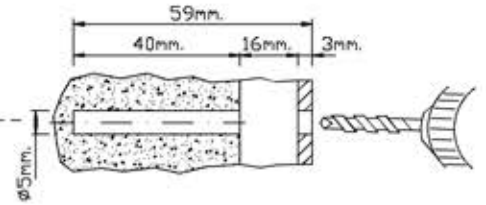
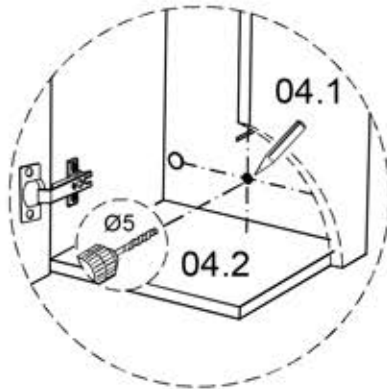
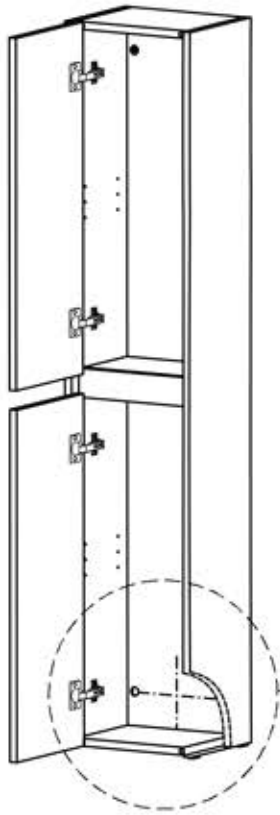
03.



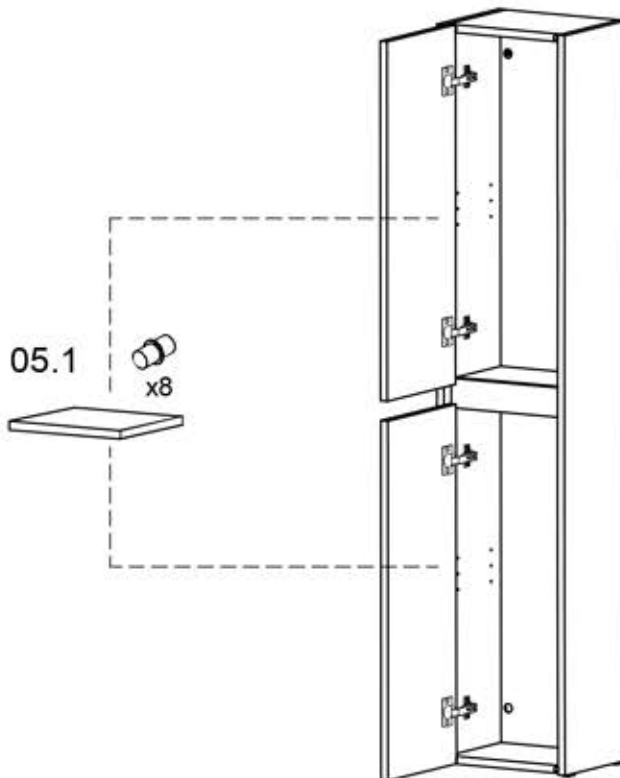
04.



BO-630



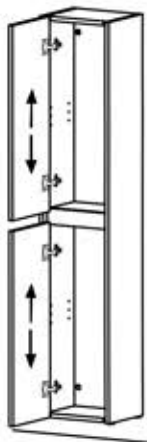
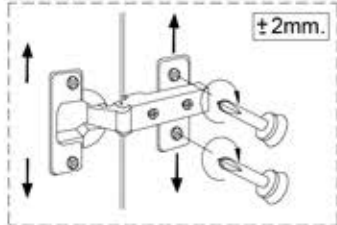
05.



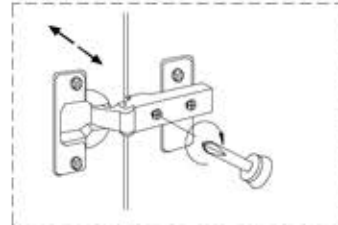
06.



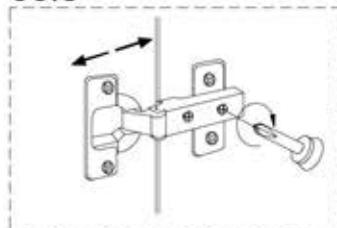
06.1



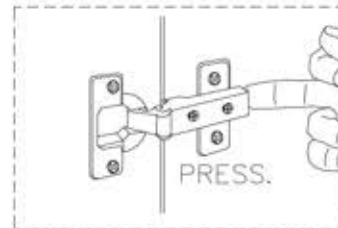
06.2



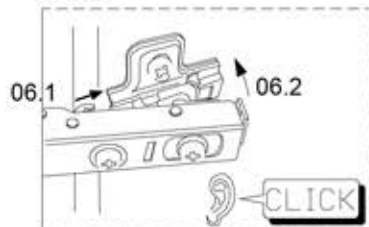
06.3

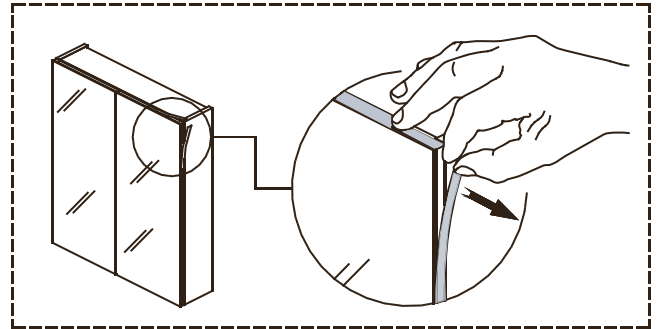
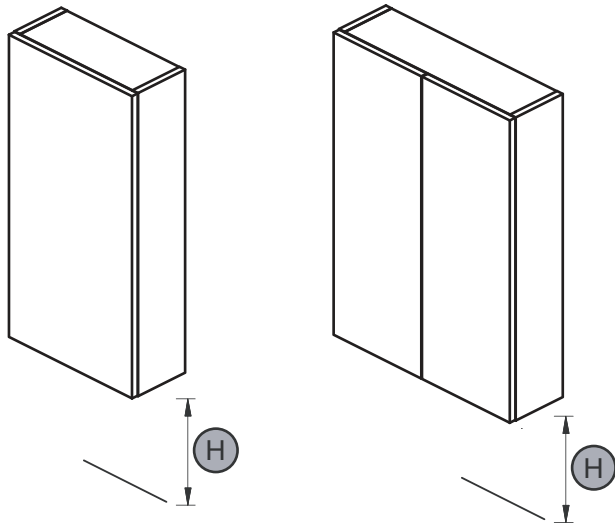


06.4

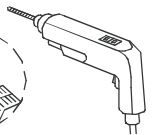
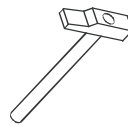
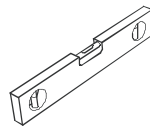
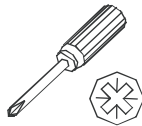
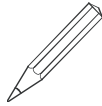
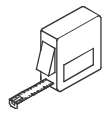


06.5

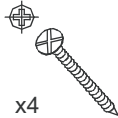




0-30'-00"



x4



x4



x2



x2



x1



x1



x1

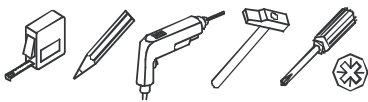


x8



x4

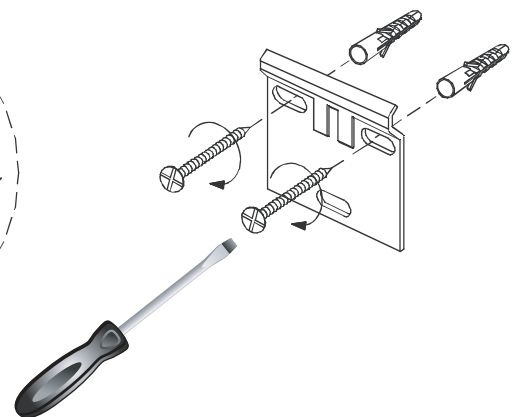
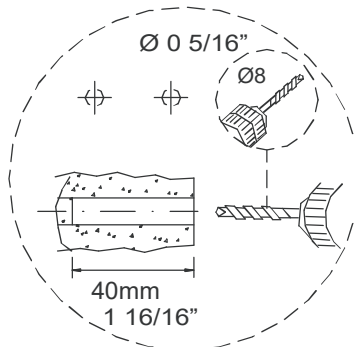
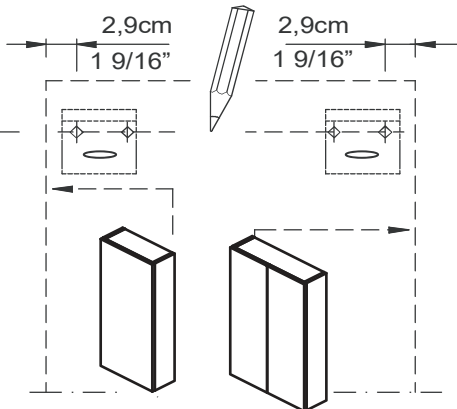
01.



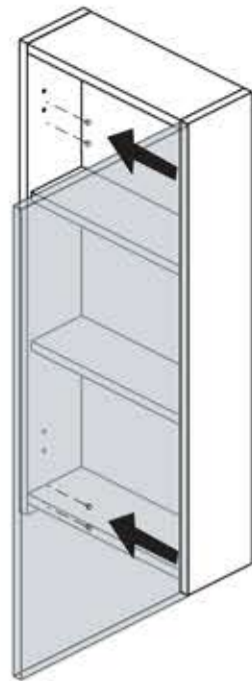
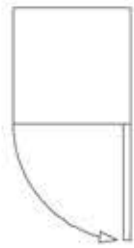
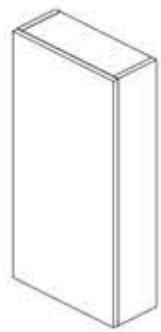
Ø x4

Ø x4

x2

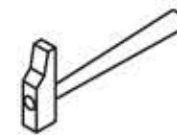


02.



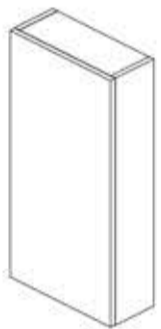
02-1

02-1

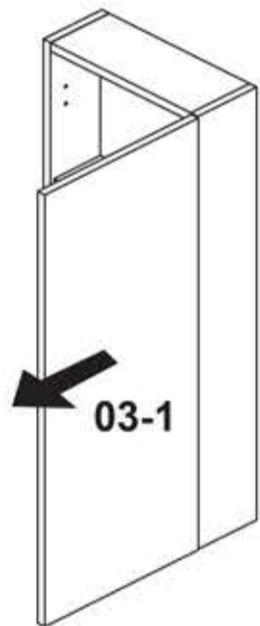


x4

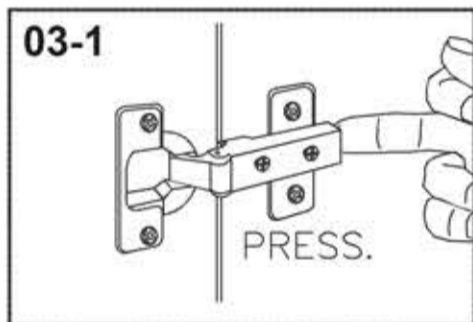
03.



x4

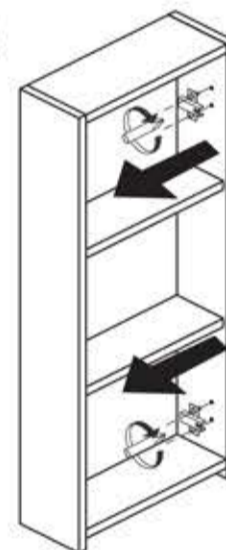


03-1

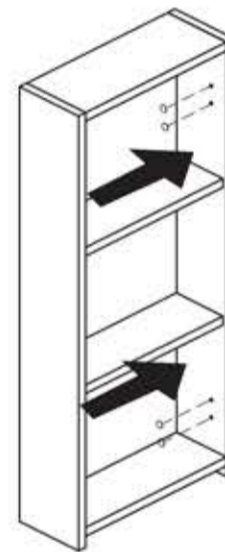


03-1

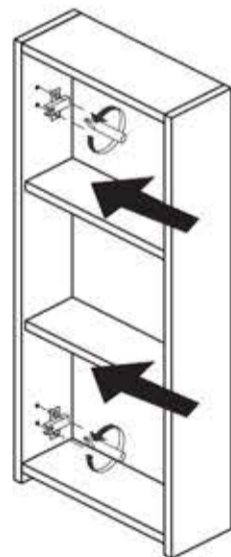
03-2



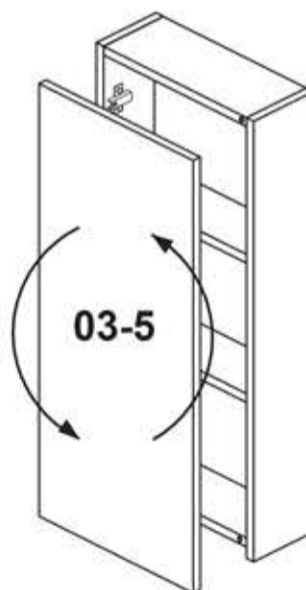
03-3



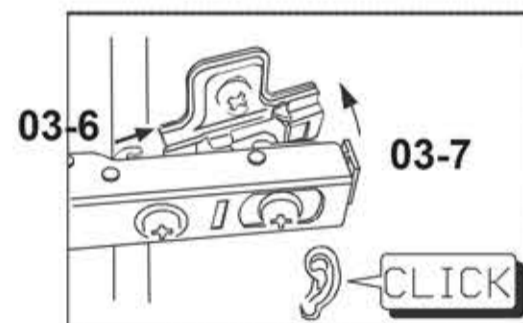
x4



03-4



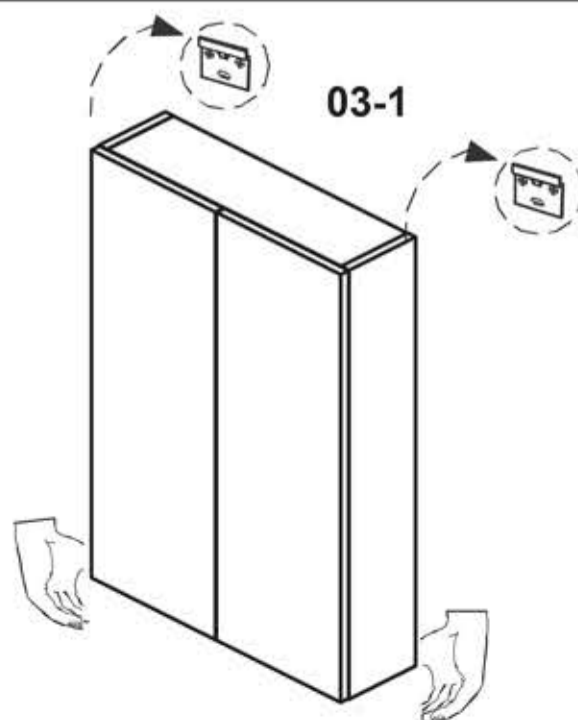
03-5



03-6

03-7

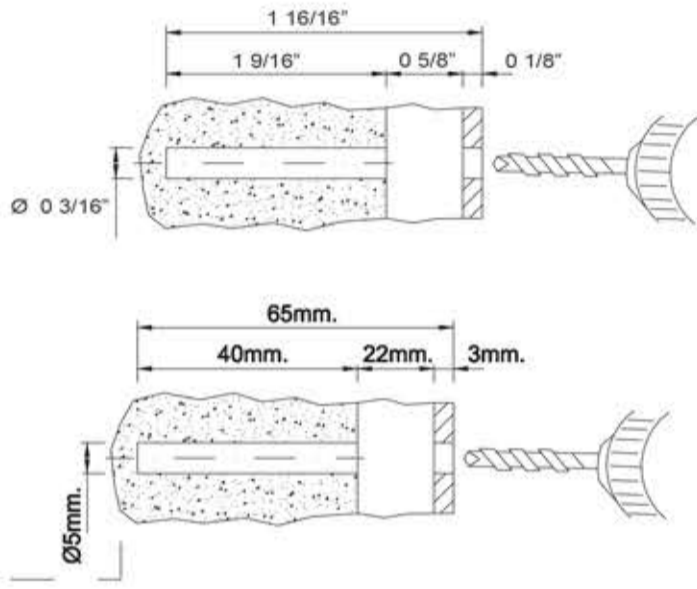
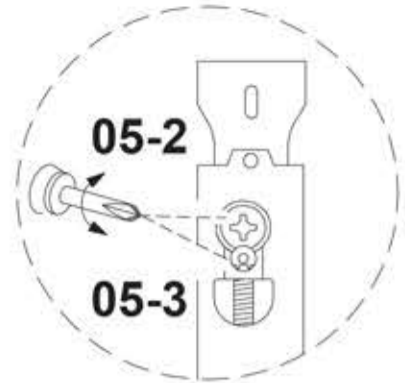
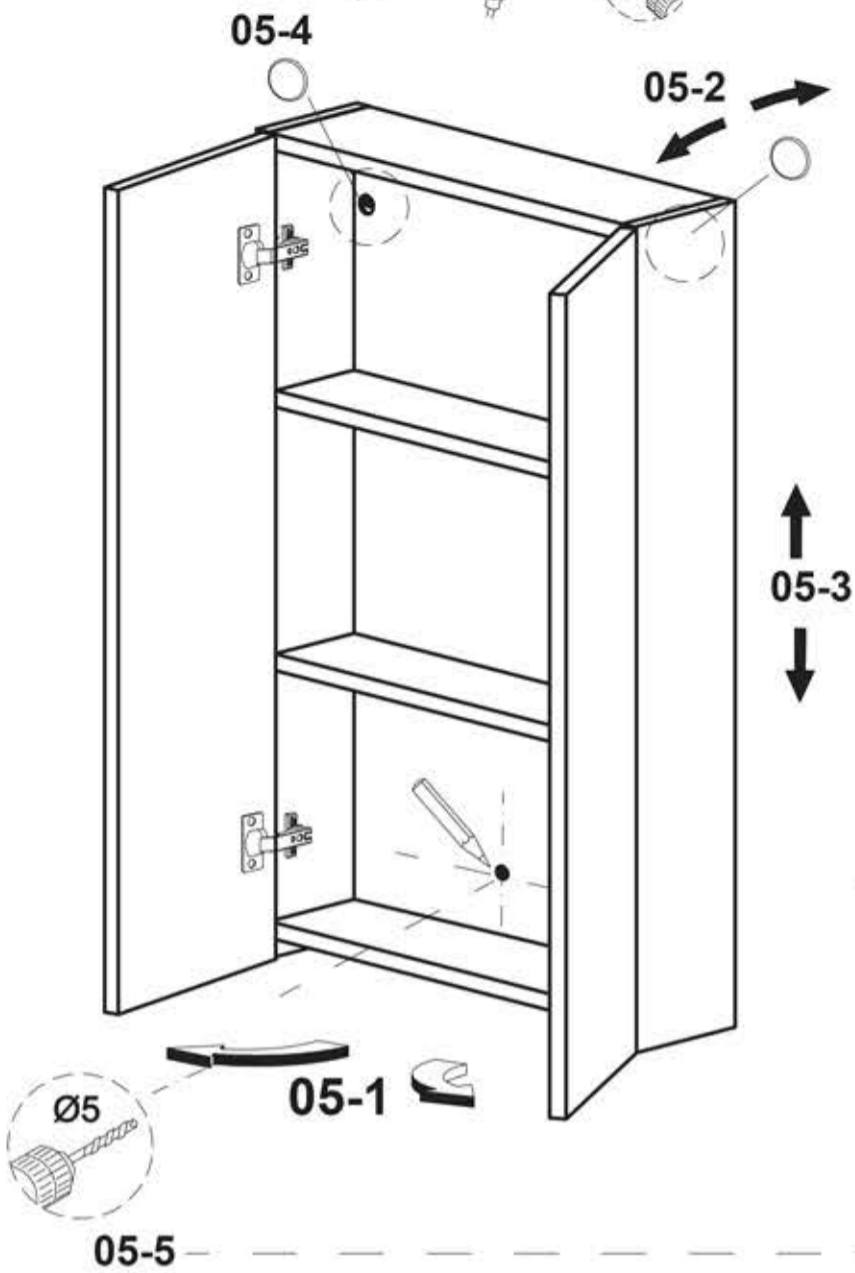
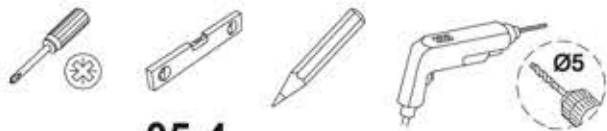
04.



03-1



05.



06.

