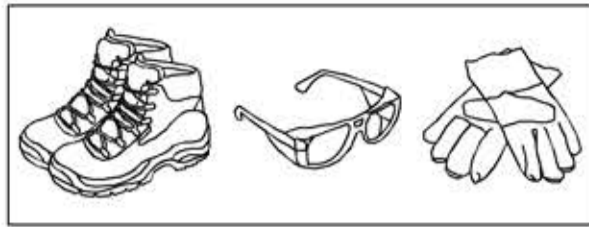
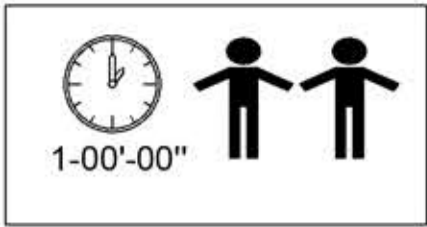


CONFORT

Royo®



60
23 5/8"



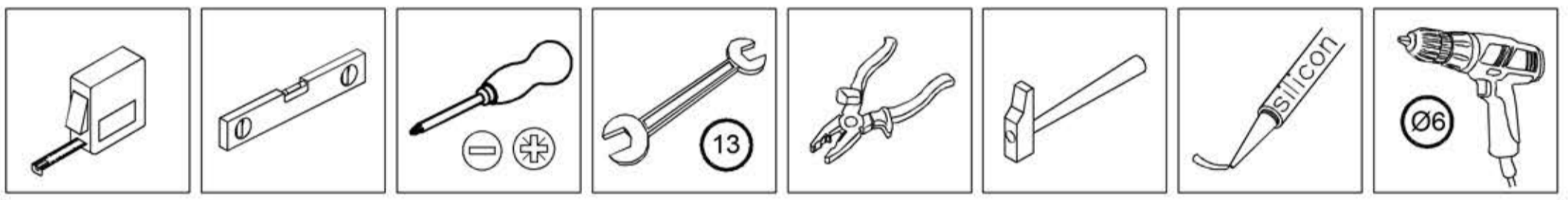
70
27 9/16"



80
31 1/2"



100
39 3/8"



106784 / A x2



106784 / B x2



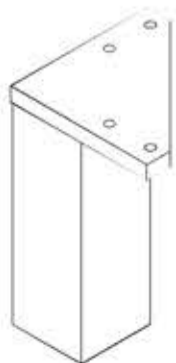
T-182



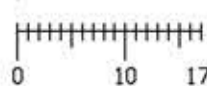
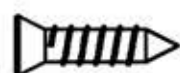
T-181



119942 ___x6



PAT-028 - / A ___x4

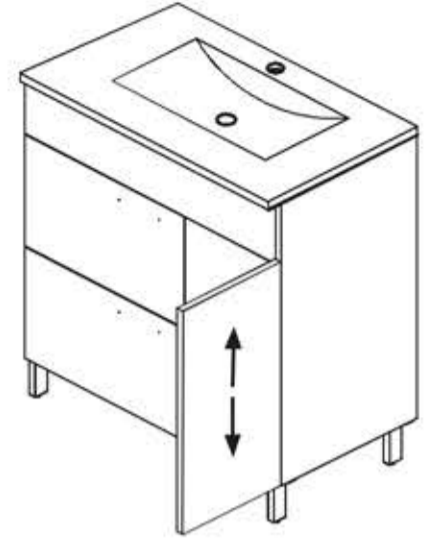
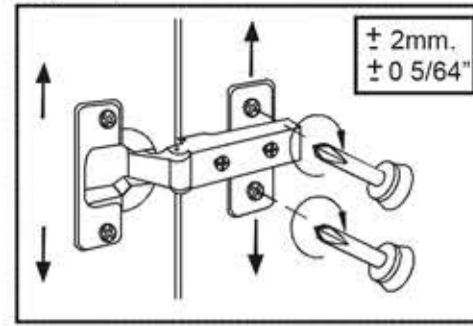


PAT-028 / B ___x16

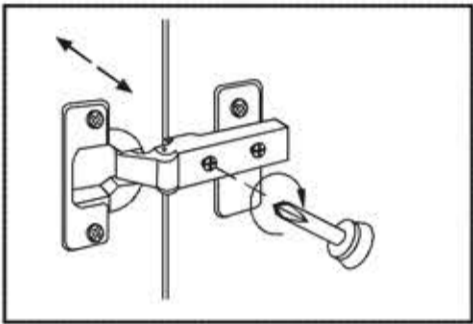
07.



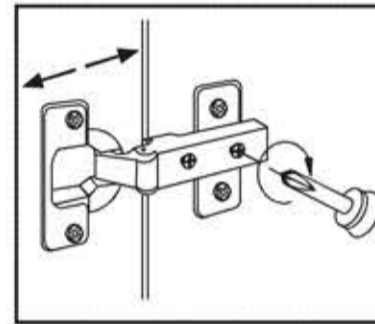
07-1



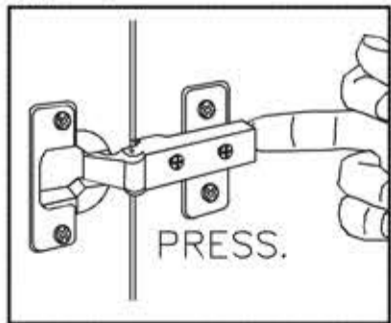
07-2



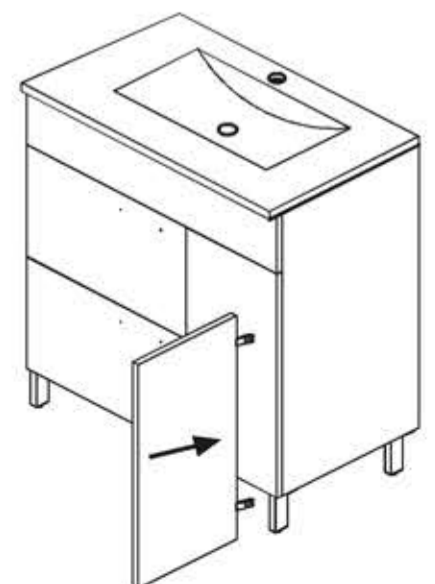
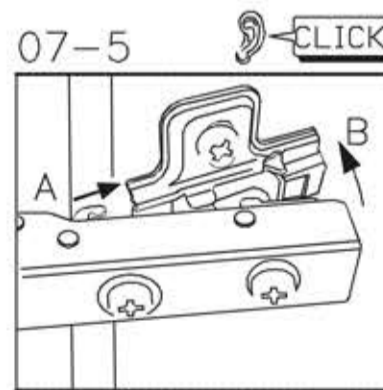
07-3

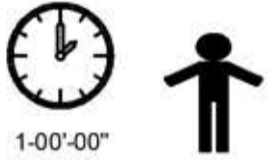
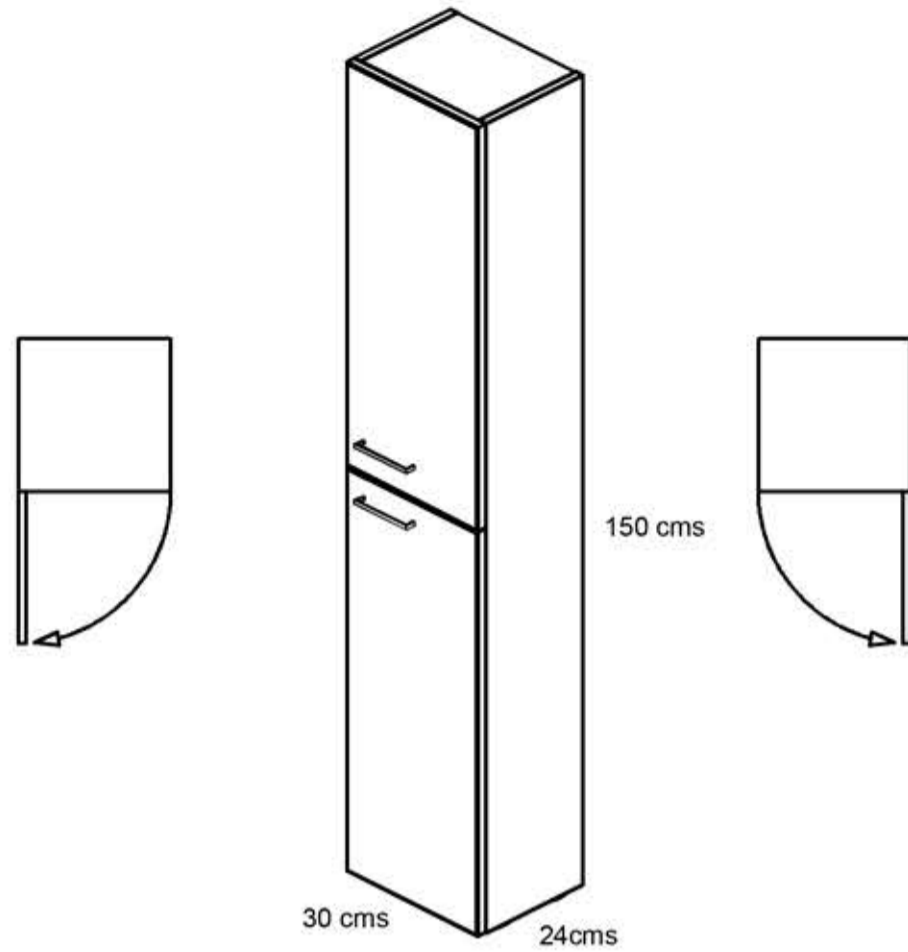


07-4

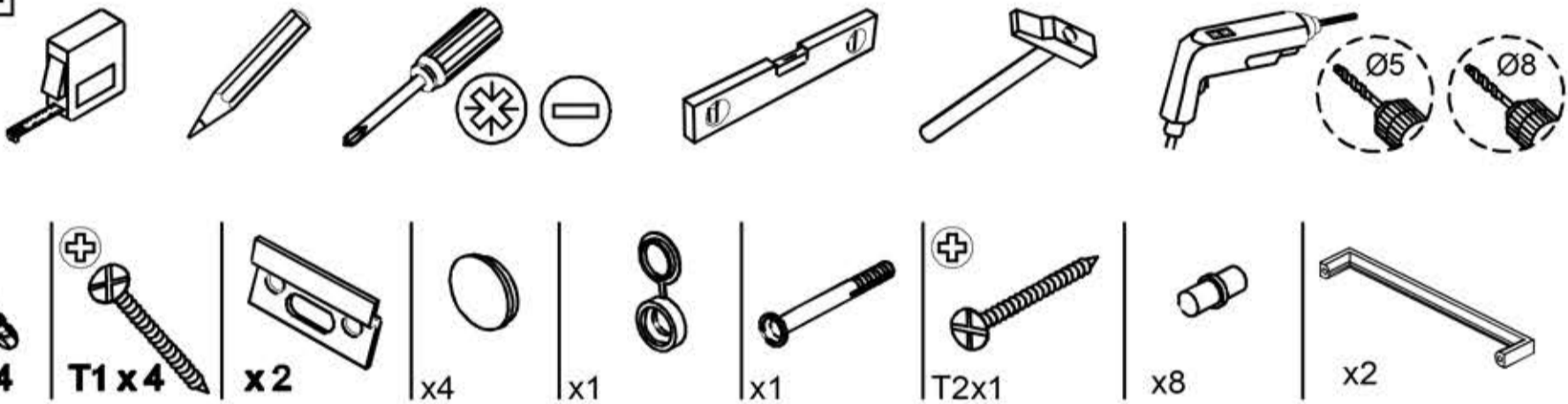


07-5

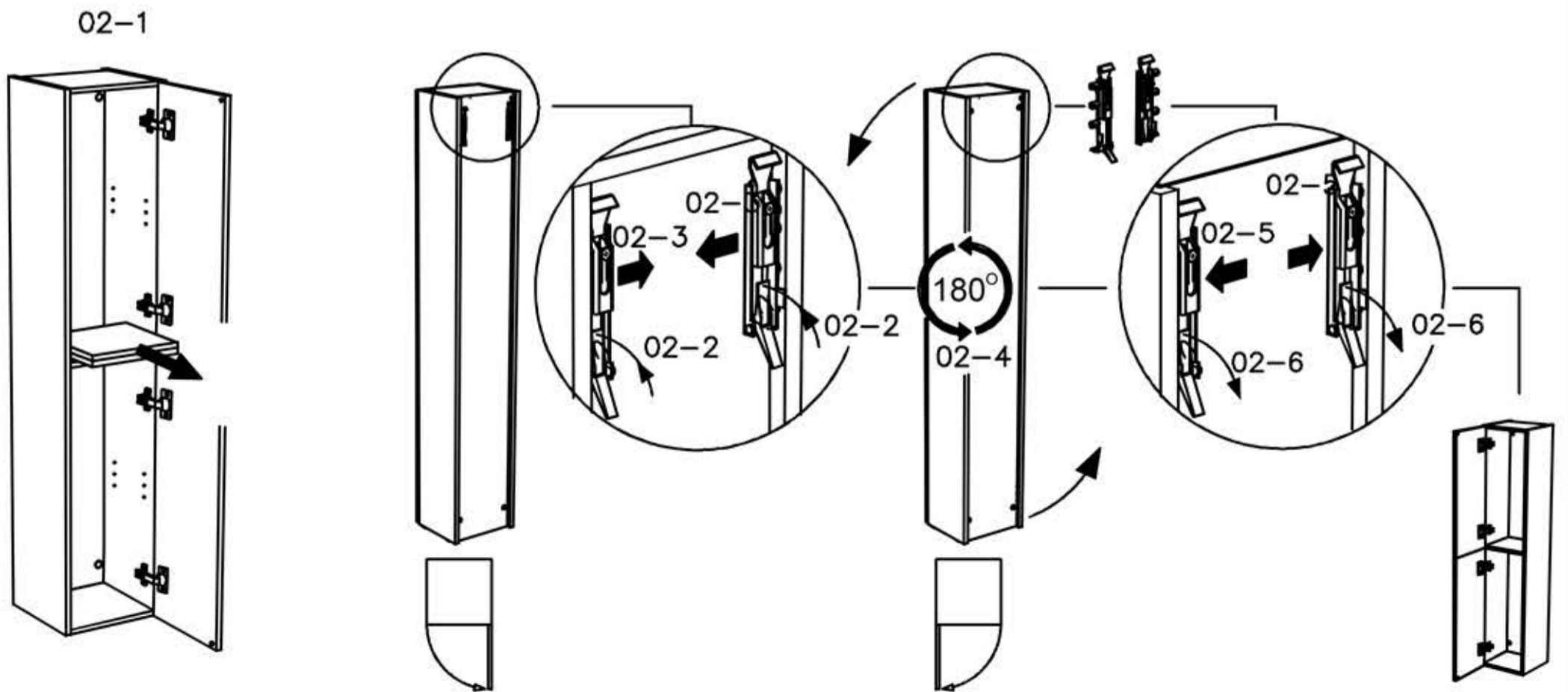




01.



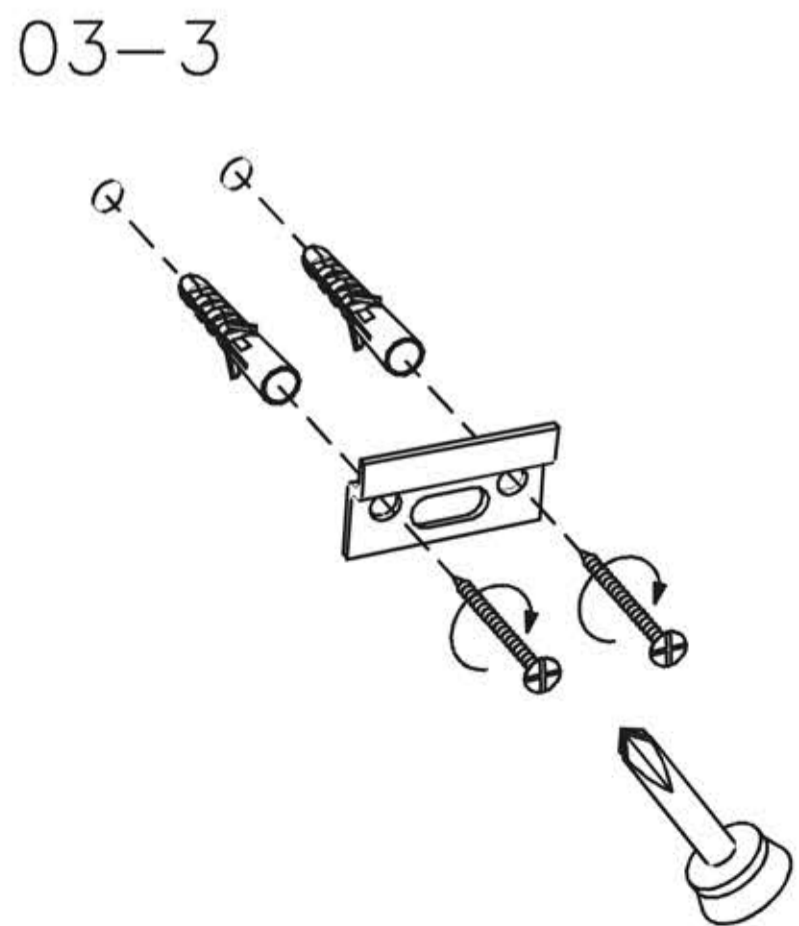
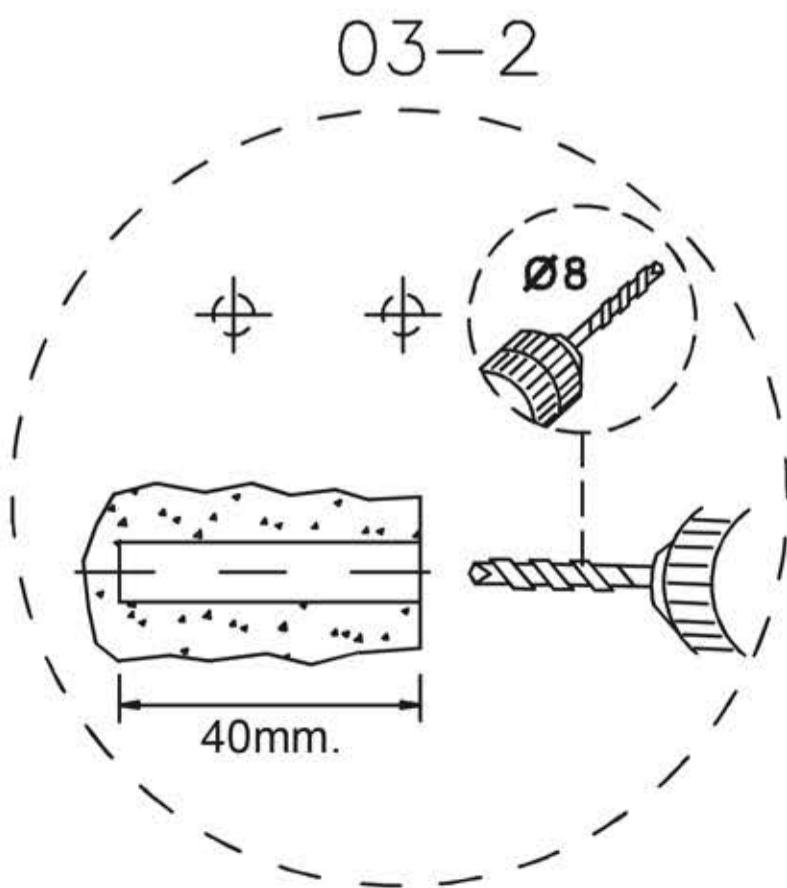
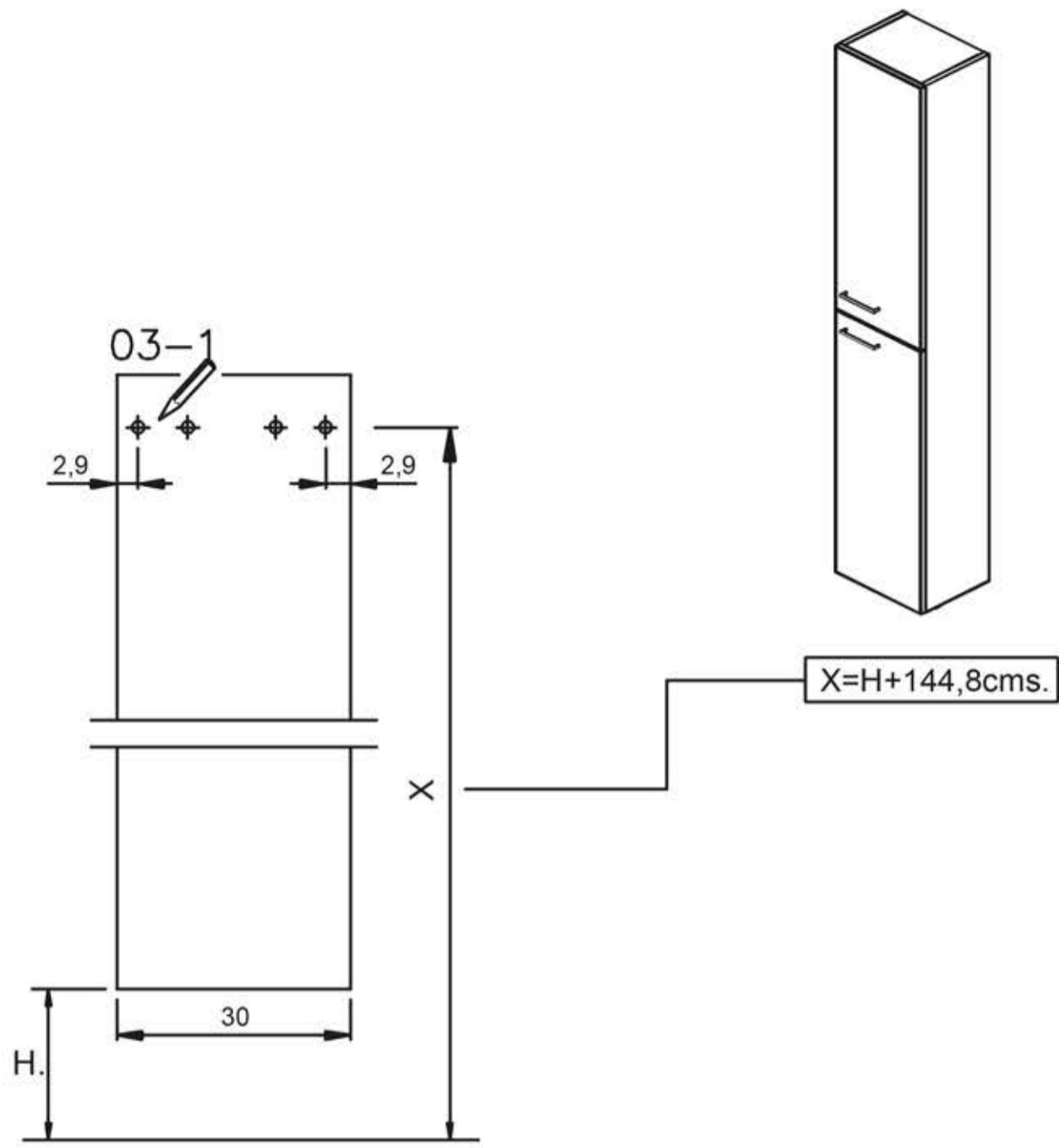
02.



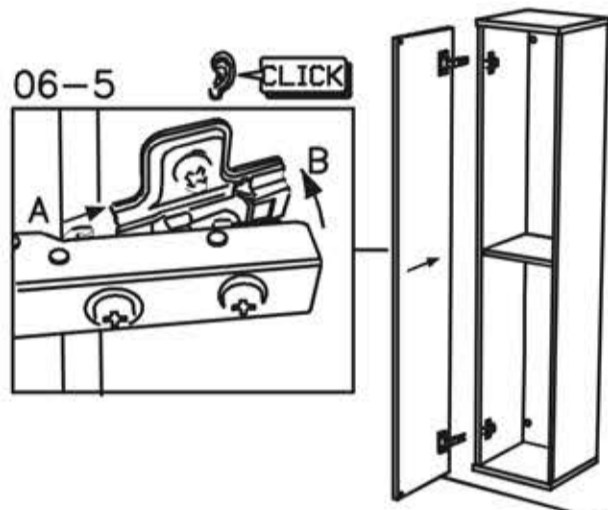
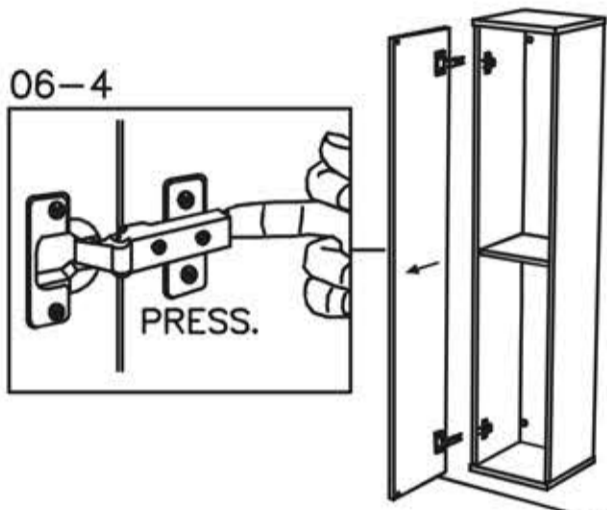
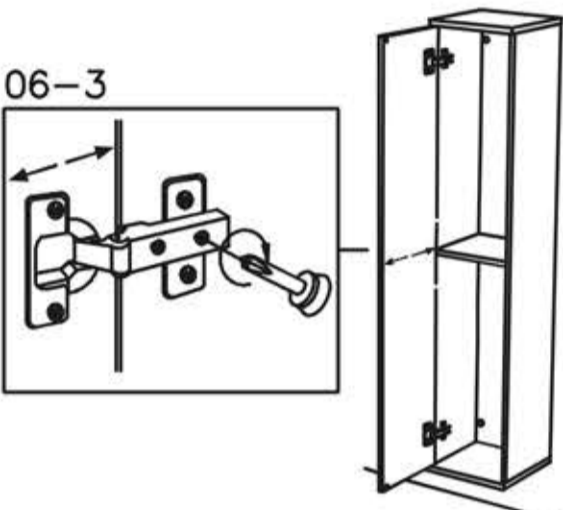
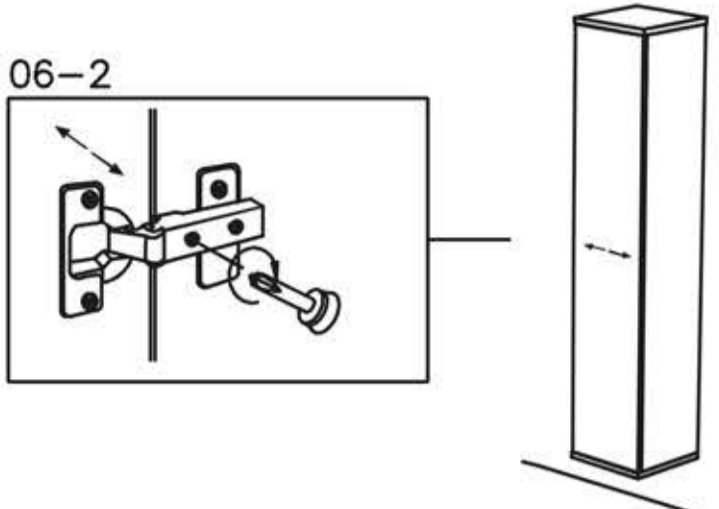
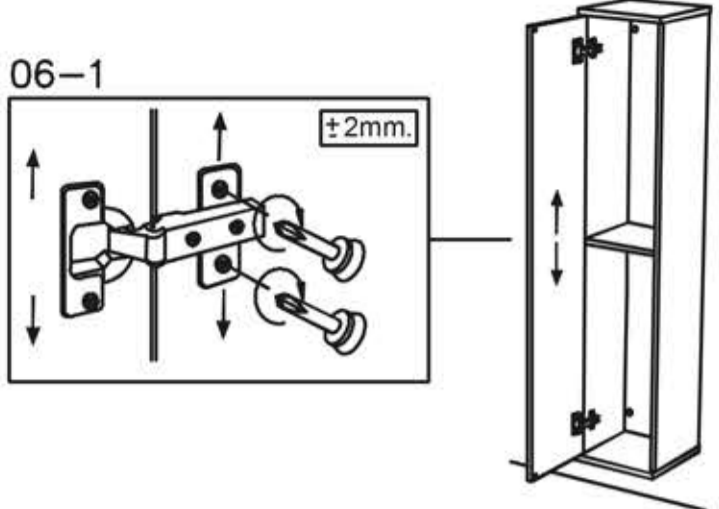
03.



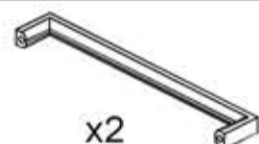
x4 T1x4 x2



06.



07.



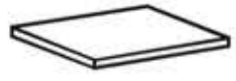
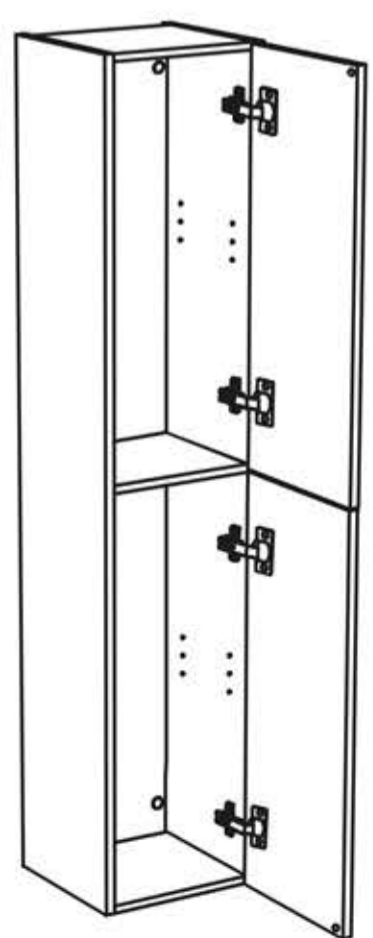
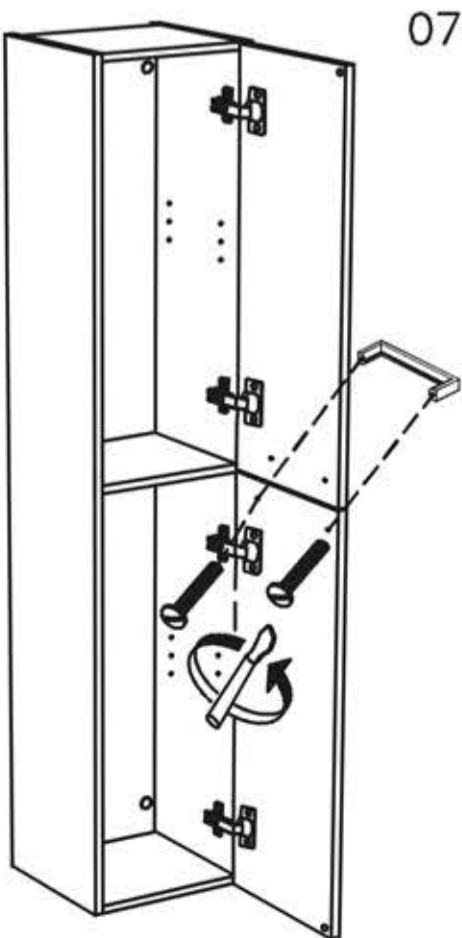
x2



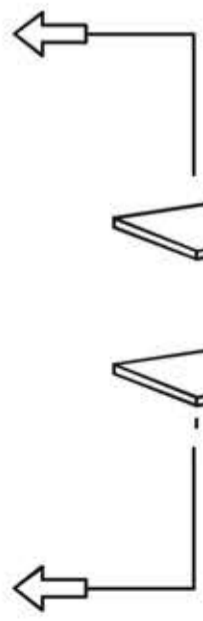
x4

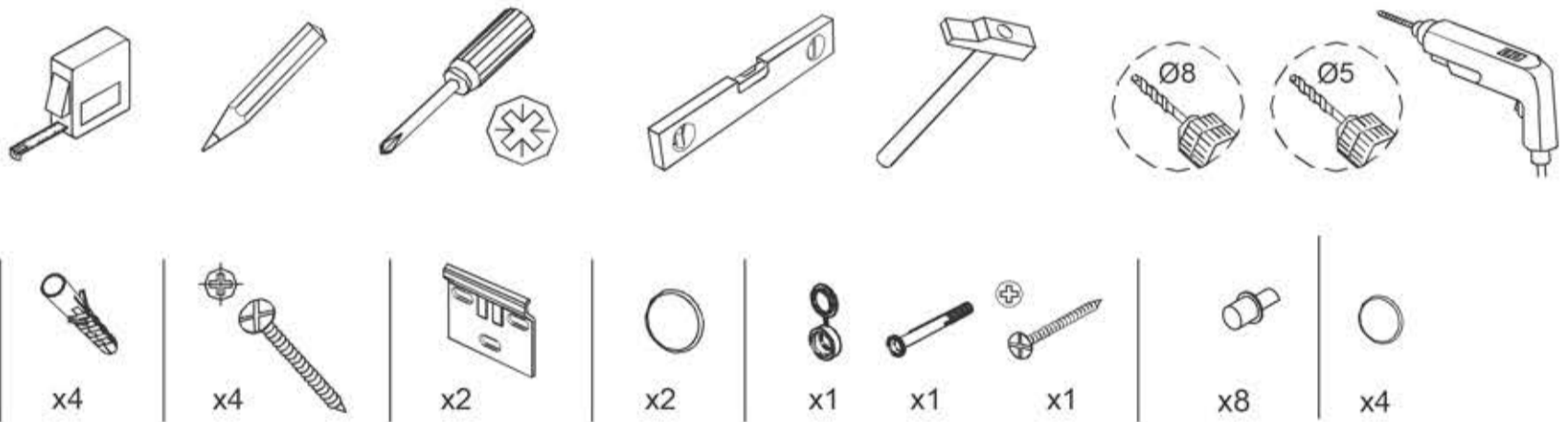
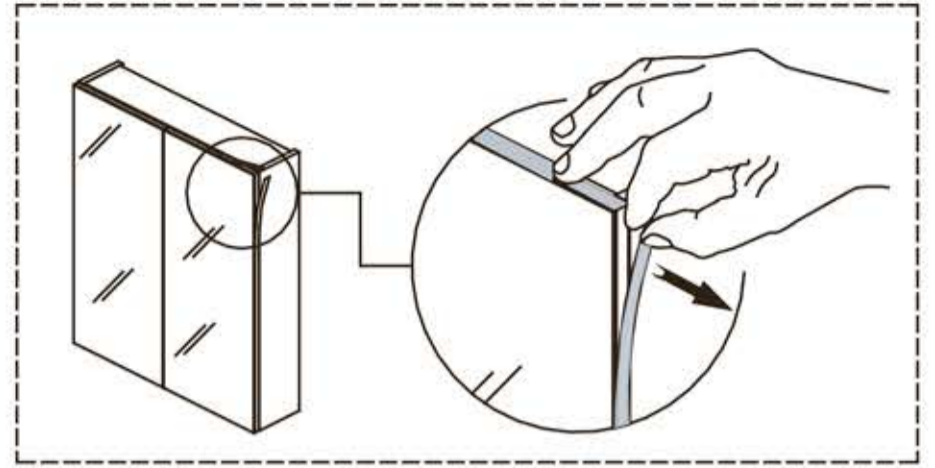
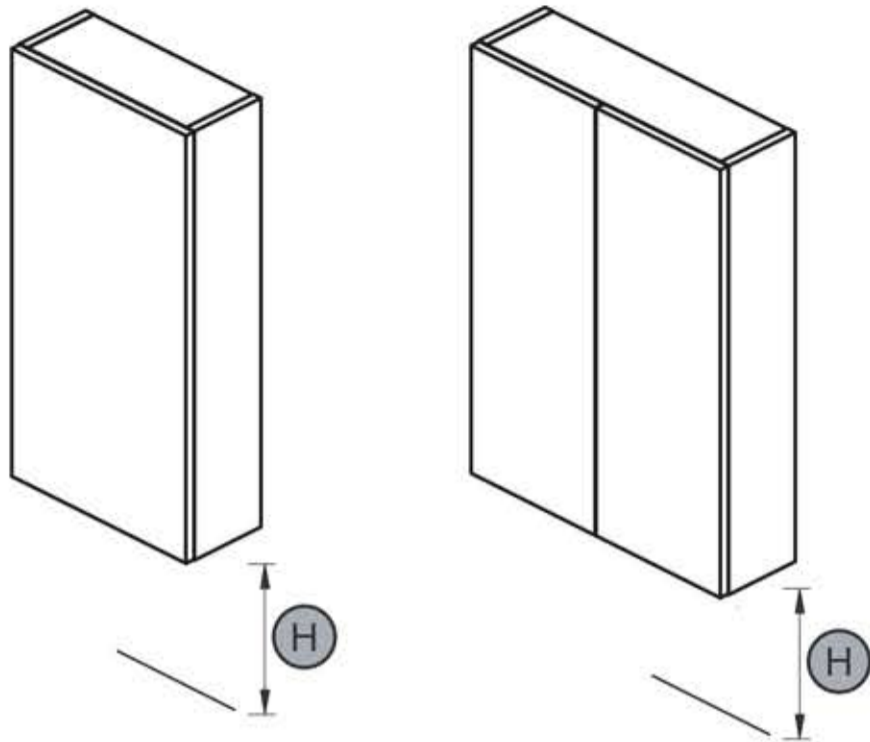


x8

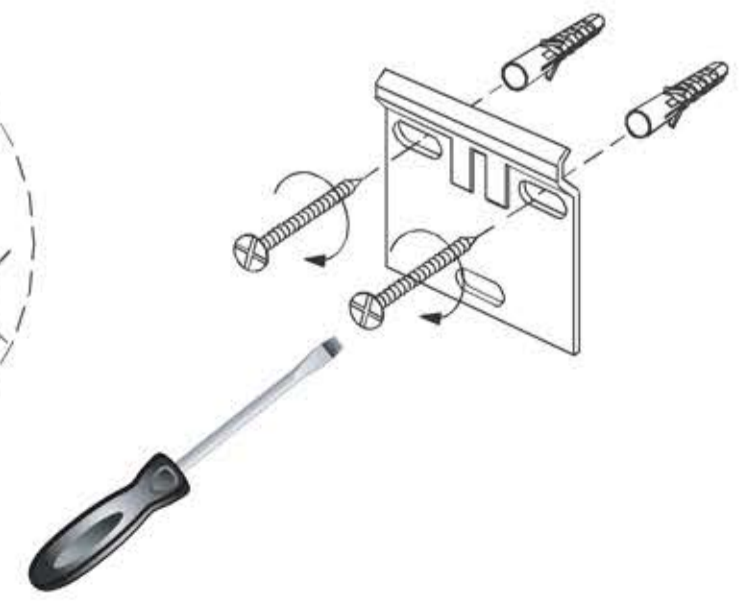
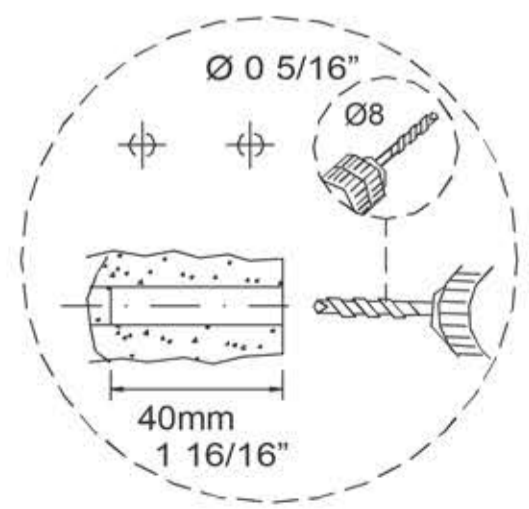
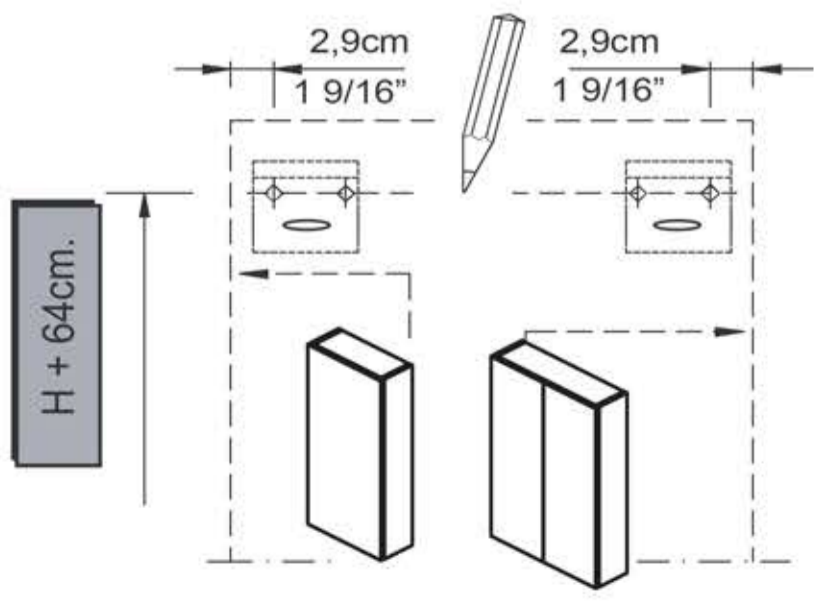


07-3

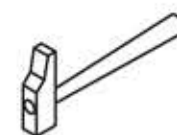
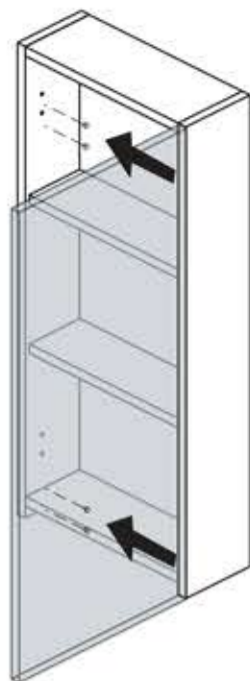




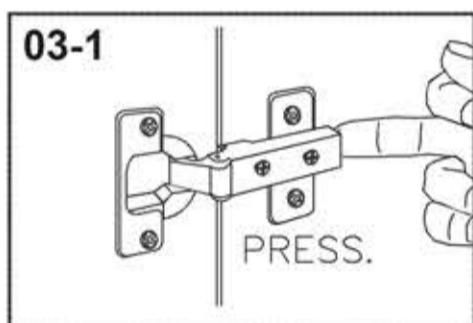
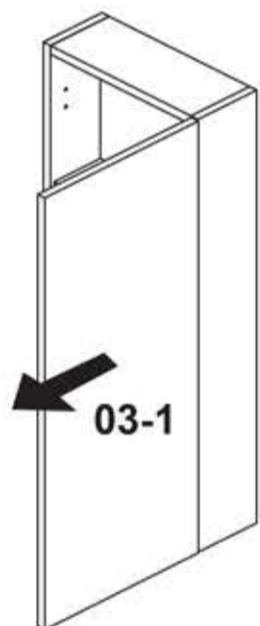
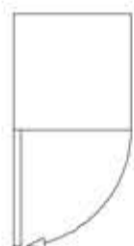
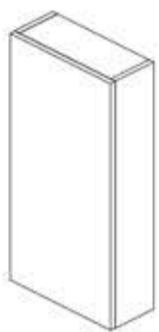
01.



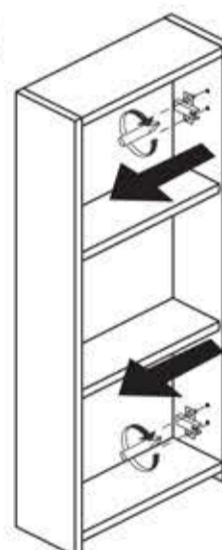
02.



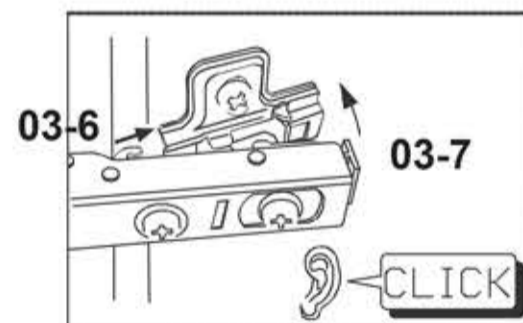
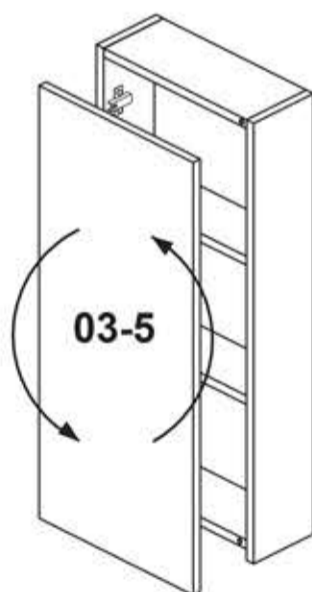
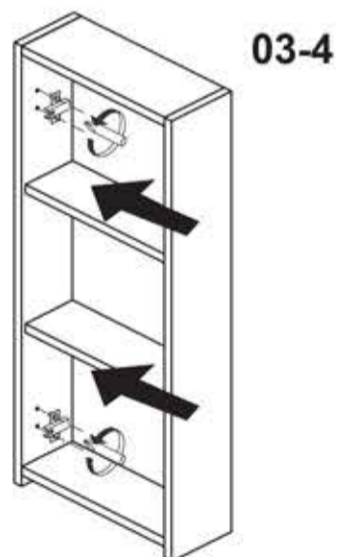
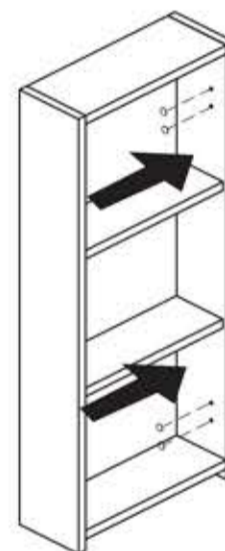
03.



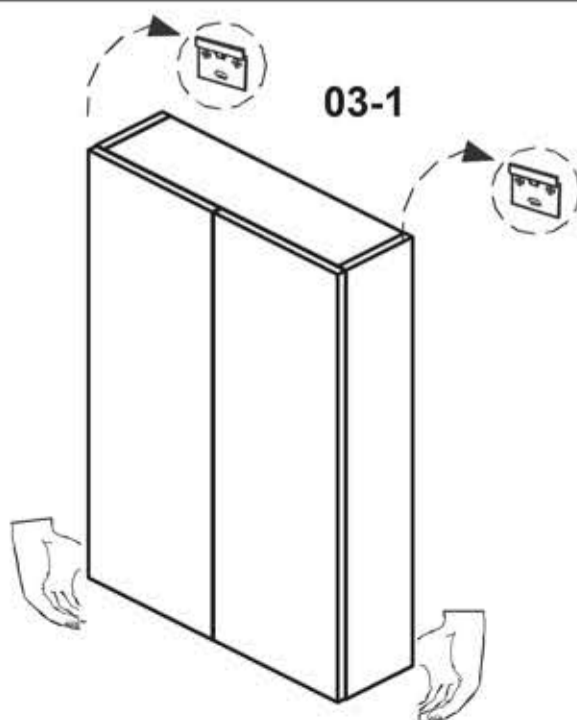
03-2



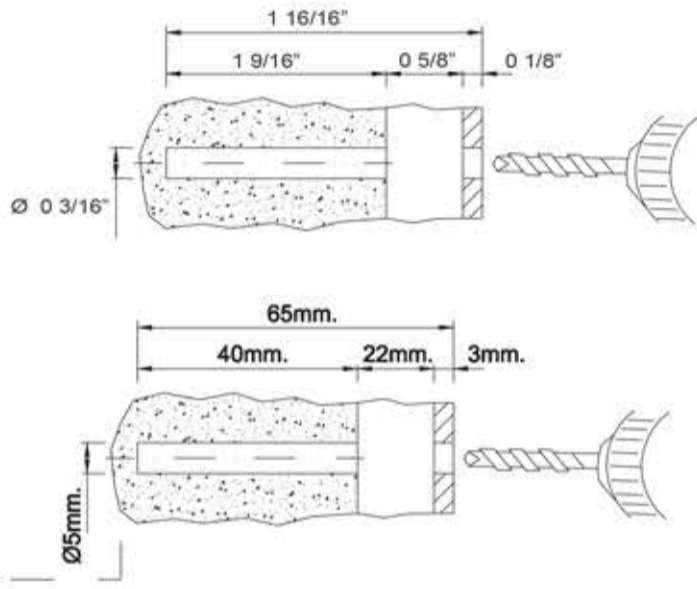
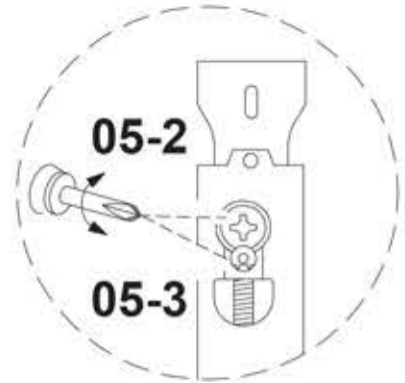
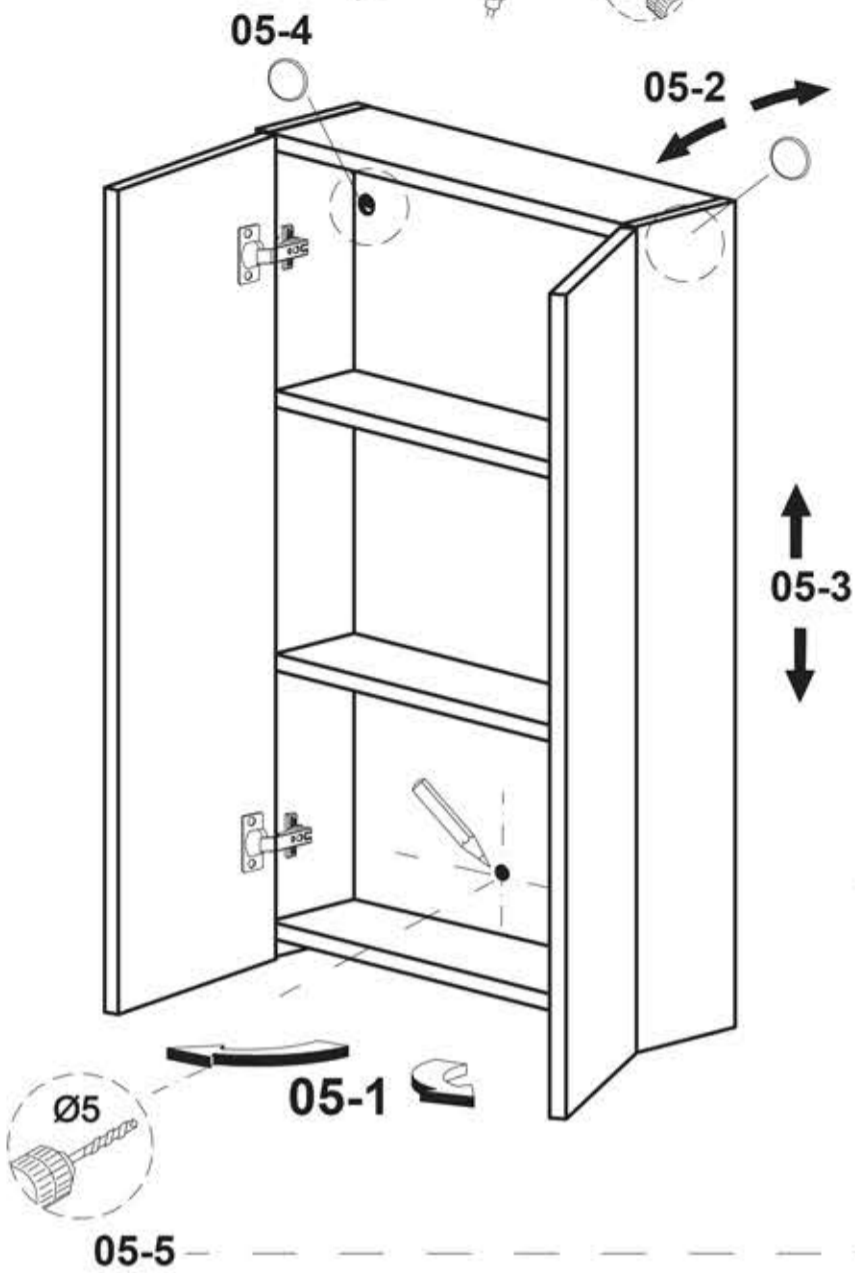
03-3



04.



05.



06.

