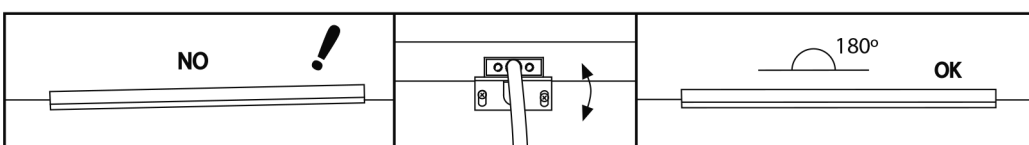
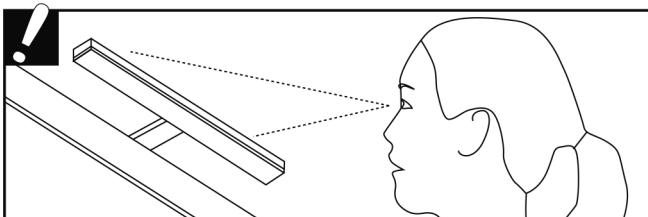
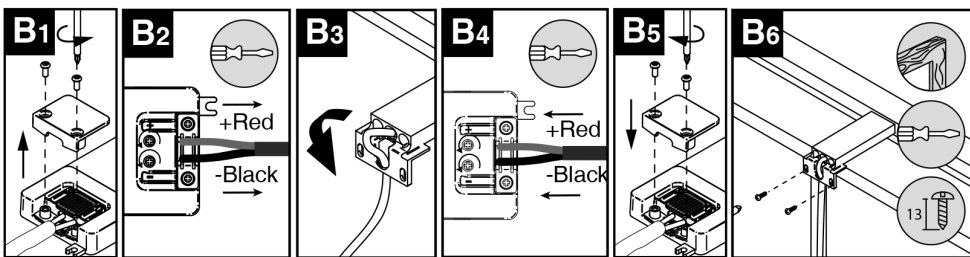
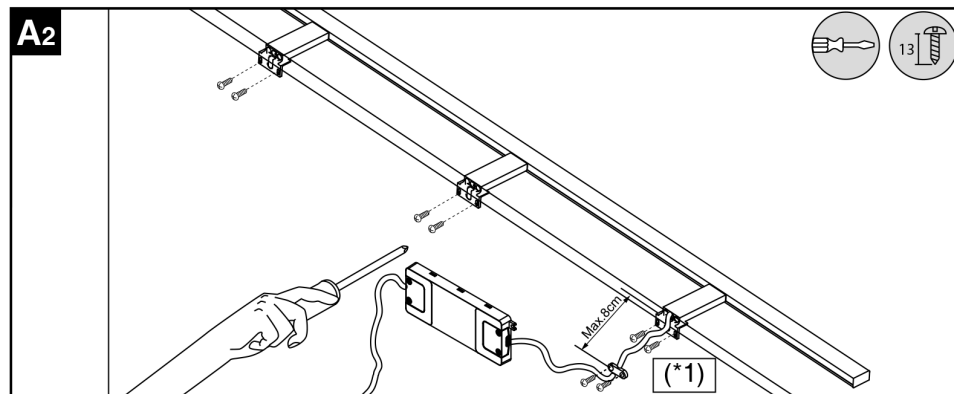
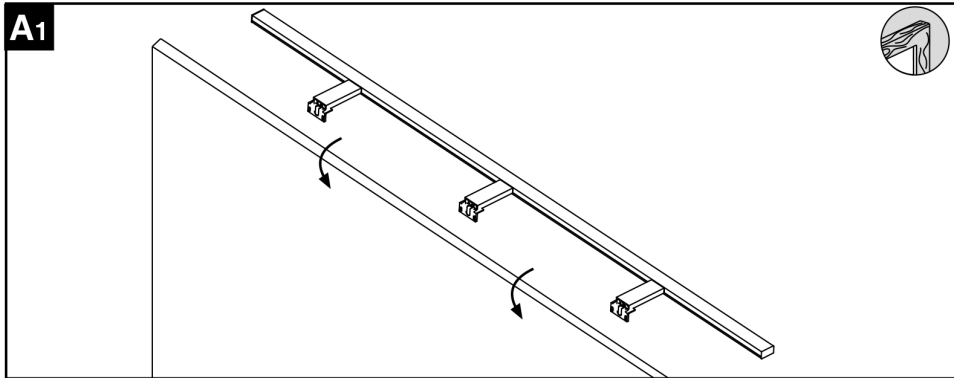
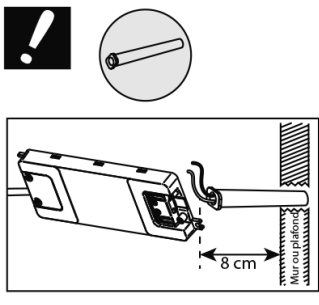
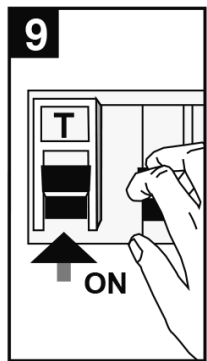
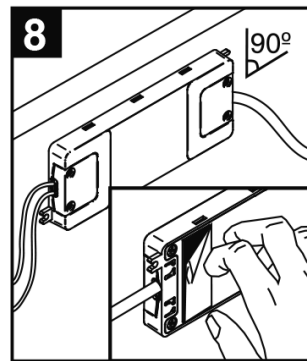
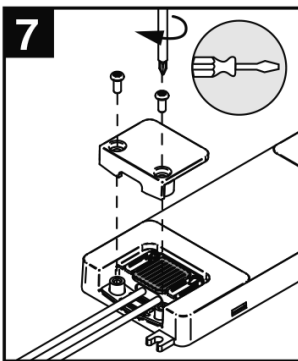
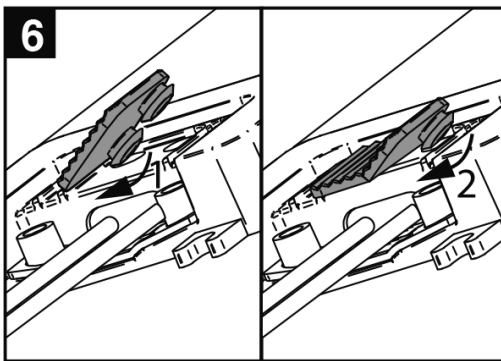
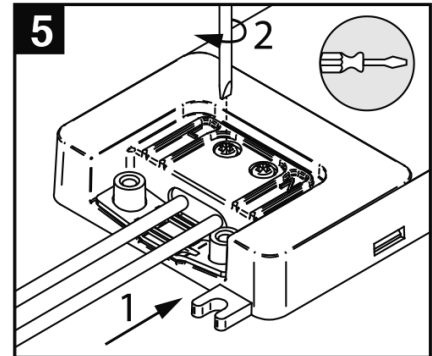
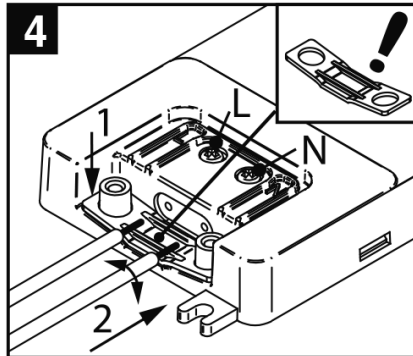
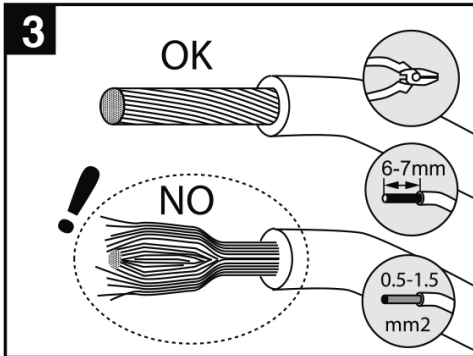
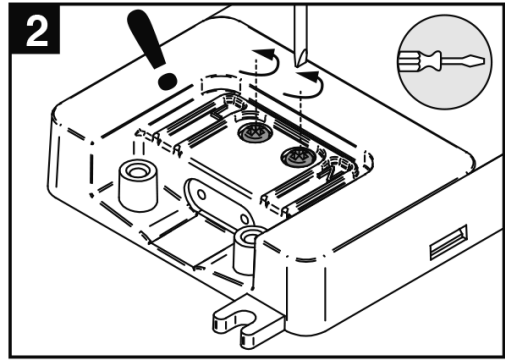
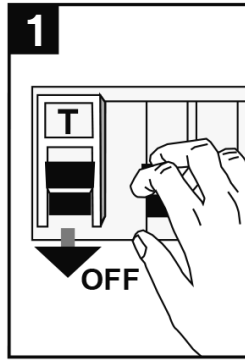
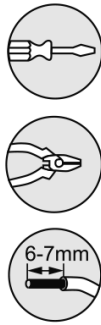
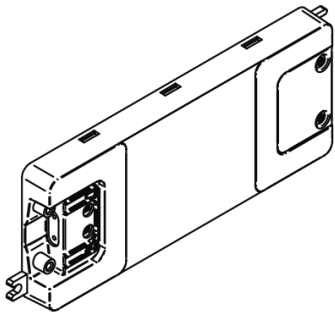


## 01.3 Wood hitch system



# 02. Connection



\*Note 1: The length of the power supply cables must not exceed 8 cm.