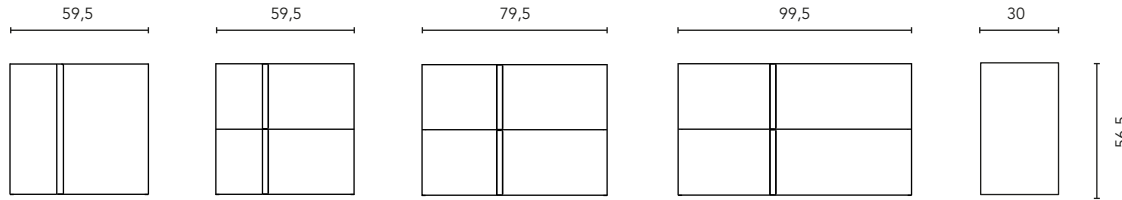


FURNITURE AND AUXILIARIES

FURNITURE

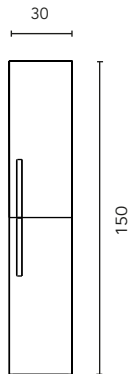
Depth 45



The compositions of 120 are combined with 2 units of 60.
The 90 measurements are based on the 60 and 30 modules.

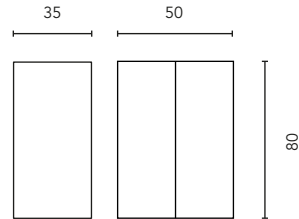
COLUMN

Depth 24



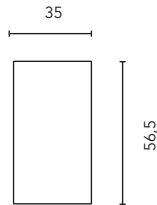
WALL

Depth 15



BASE UNIT

Depth 45



FINISHES

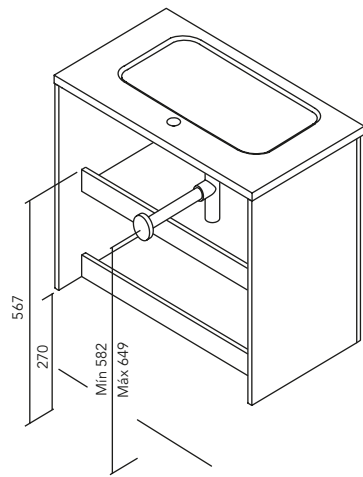


	HANDLE		
	MATT BLACK	MATT WHITE	CHROME
SANDY GREY		•	
SANDY WALNUT	•		
CEMENT GREY	•		
WHITE			•
ANTHRACITE			•

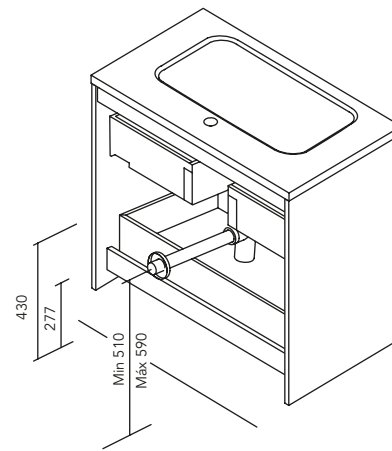
Your unit can be customized to meet your requirements, choose between various finishes for handles and get the one which best suits your style.

Tube depth 6 cm.

2 Doors



2 Drawers



SIDE PANELS	FRONTS	DRAWERS				HANDLE	FINISHES	FINISHES FRONTS	RANGE	
Fiberboard 16 mm	Fiberboard 16 mm	Full extraction Indaux	Grey textile interior	Drawer organiser	Soft close	Metal handle	Flat lacquering / Melamine	Flat lacquering / Melamine	D-46	Suspended

* Dimensions indicated in the drawing are based on the level of the whole leg, in case of wall hanging the furniture dimensions. The measures of these schemes are represented in mm.