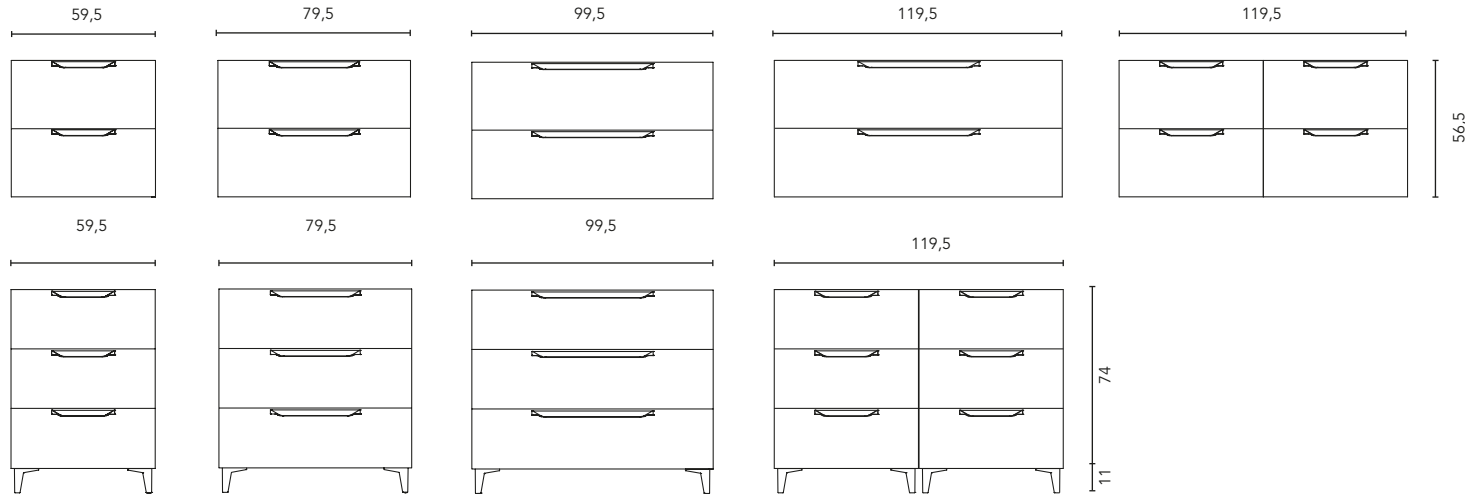


FURNITURE AND AUXILIARIES

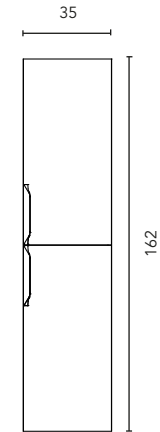
FURNITURE

Depth 46



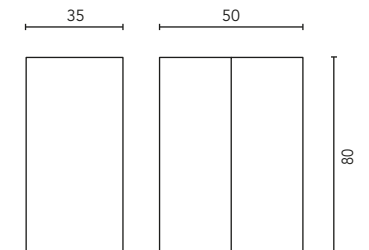
COLUMN

Depth 24



WALL

Depth 15



FINISHES



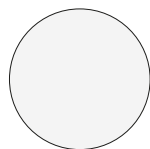
NATURE WHITE



NATURE BEIGE



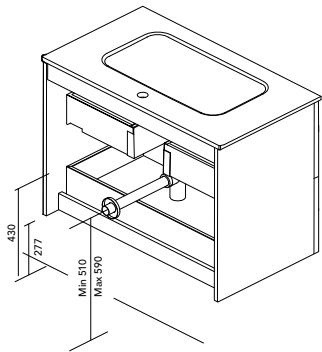
NATURE GREY



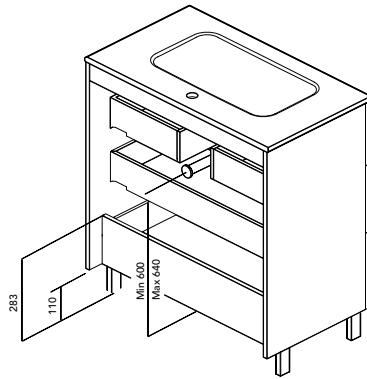
MATT WHITE

Tube depth 7 cm.

2 Drawers



3 Drawers



SIDE PANELS	FRONTS	DRAWERS				HANDLE	FINISHES	RANGE		
Fiberboard 16 mm	MDF. 18 mm	Extraction partielle Indaux	Grey textile interior	Drawer organiser	Soft close	Poignée enduite brevetée	Foil 3D	D.46	Suspended	Floor standing

* Dimensions indicated in the drawing are based on the level of the whole leg, in case of wall hanging the furniture dimensions. The measures of these schemes are represented in mm.