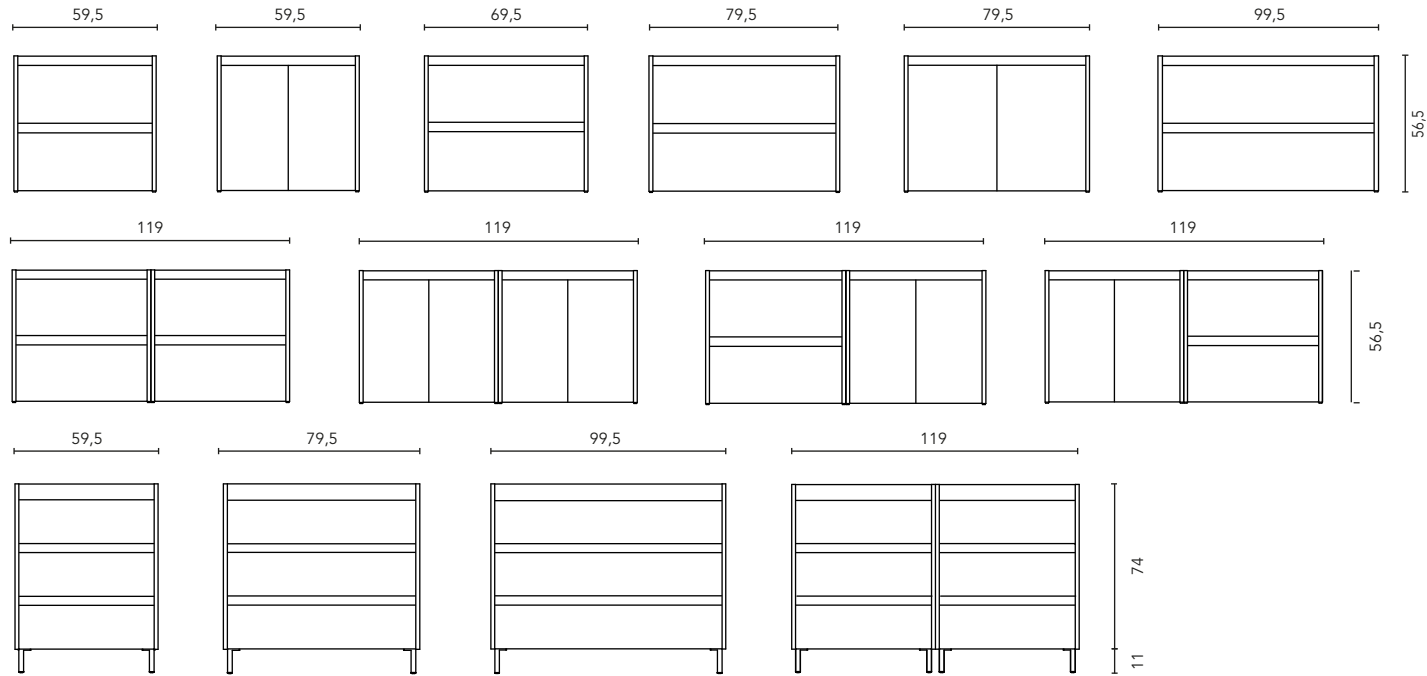


FURNITURE AND AUXILIARIES

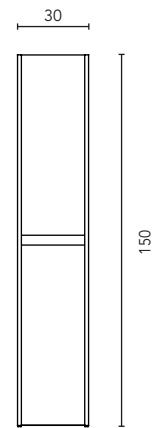
FURNITURE

Depth 45



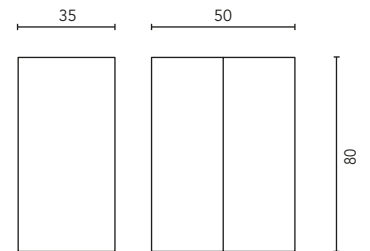
COLUMN

Depth 25



WALL UNIT

Depth 15



FINISHES



SANDY GREY

SANDY WALNUT

COLONIAL OAK

GLOSS WHITE

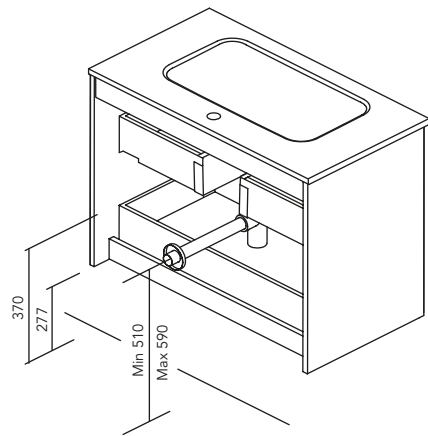
GLOSS ANTHRACITE

MATT NAVY BLUE

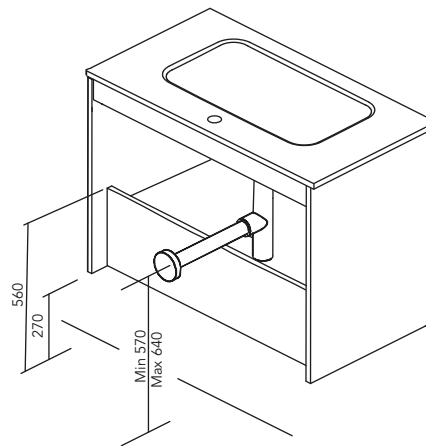
\* Measure in cm.

Tube depth 7 cm.

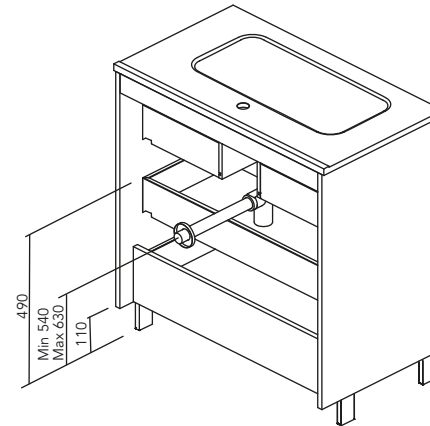
2 Drawers



2 Doors



3 Drawers



SIDE PANELS	FRONTS	DRAWERS			HANDLE	FINISHES	FINISHES FRONTS	RANGE		
		Partially extraction Hettich	Grey textile interior	Soft close				D-46	Susp	Floor standing
Fiberboard 16 mm	Fiberboard 16 mm				Integral front handle	Flat lacquering / Melamine	Flat lacquering / Melamine			

\* Dimensions indicated in the drawing are based on the level of the whole leg, in case of wall hanging the furniture dimensions. The measures of these schemes are represented in mm.