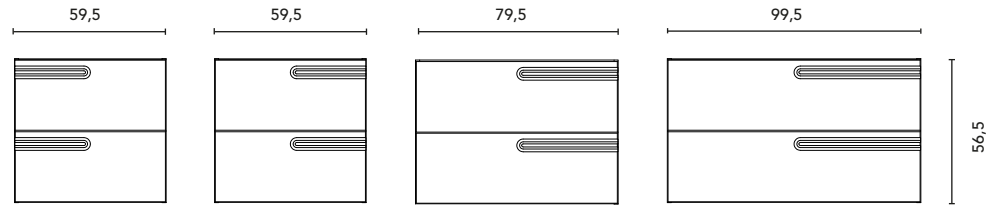


FURNITURE AND AUXILIARIES

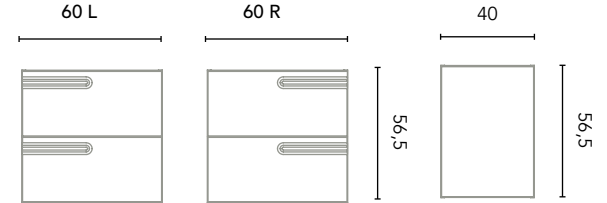
FURNITURE

Depth 45



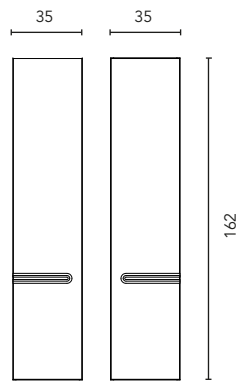
BASE UNITS

DEpth 45



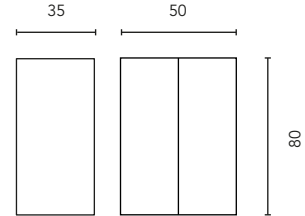
COLUMN

Depth 24,8



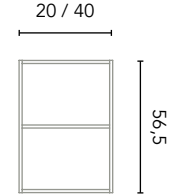
WALL UNIT

Depth 15



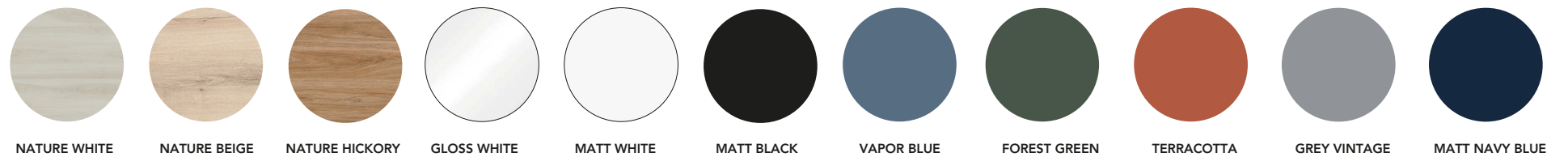
OPEN MODULE

Depth 45



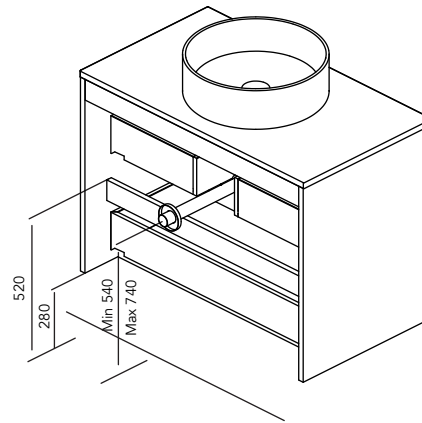
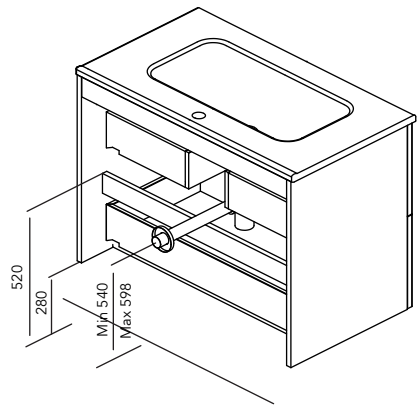
* Measures in cm.

FINISHES



Tube depth 7 cm.

2 Drawers



SIDE PANELS	FRONTS	DRAWERS				HANDLE	FINISHES	RANGE	
Agglomerate TSCA 16 mm	DMC TSCA 18 mm	Full extraction Hettich	Smoky leather interior	Drawer organis.	Soft close	Integrated handle	Lacquered / Water-based lacquered	F.46	Suspended

* Dimensions indicated in the drawing are based on the level of the whole leg, in case of wall hanging the furniture dimensions. The measures of these schemes are represented in mm.